

## 0401 Rotating joints

- Port size: 1/8" ... 3/8"
- Slow and fast rotating models
- For use with a variety of fluids
- Pressure and vacuum models



### Technical features

#### Medium:

Slow rotating models:  
Compressed air or oil but not water  
Fast rotating models:  
Compressed air only

Consult our Technical Service for use with any medium other than compressed air

#### Operating pressure:

See table below

#### Port sizes:

1/8", 1/4" and 3/8"

#### Maximum speed:

50 r.p.m (slow rotating models)  
2000 r.p.m (fast rotating models)

#### Note:

Should not be subjected to side or end loads.  
Vacuum mode is identified by 'v' marked on body.


#### Ambient/Media temperature:

-10 ... +70°C (+14 ... +158°F)  
Air supply must be dry enough to avoid ice formation at temperatures below +2°C (+35°F).

#### Materials:

Slow rotating models:  
Body: Brass  
Spindle: Steel zing plated  
Seals: FPM  
Fast rotating models:  
Body: Brass  
Spindle: Stainless steel  
Clip: Steel phoshated  
Seals: NBR

### Technical data

Symbol	Male thread ISO R, taper	Female thread ISO G, parallel	Suitable for	Max. speed r.p.m.	Pressure range (bar)	Weight (kg)	Model
	R1/8	G1/8	Pressure	50	0 ... 7	0,035	04017400
	R1/4	G1/4	Pressure	50	0 ... 7	0,100	04017500
	R3/8	G3/8	Pressure	50	0 ... 7	0,170	04017600
	R1/4	G1/4	Pressure	2000	0 ... 7	0,210	04016100
	R1/4	G1/4	Vacuum	2000	- 740 mm Hg-0	0,210	04016200

### Options selector

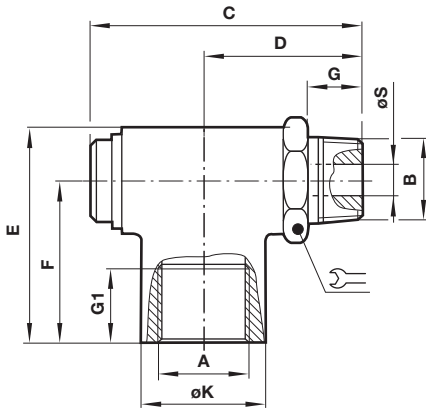
0401★★00

Thread	Substitute	Port size (slow rotation)	Substitute
Slow rotation	7	1/8"	4
Fast rotation	6	1/4"	5
		3/8"	6
		Port size (fast rotation)	Substitute
		1/4" (Pressure)	1
		1/4" (Vacuum)	2

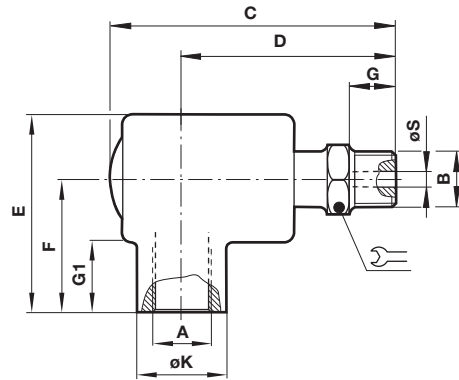
## Dimensions

Dimensions in inch  
Projection/First angle

### Slow rotating models



### Fast rotating models



A	B	C	D	E	F	G	G1	Ø K	Ø S		Model
G1/8	R1/8	37,0	25,5	24,0	17,5	9,0	9,0	12,7	2,8	13	04 0174 00
G1/4	R1/4	46,0	33,0	29,5	22,5	11,0	13,5	17,5	5,5	17	04 0175 00
G3/8	R3/8	56,5	42,5	38,5	29,5	12,5	15,5	24,0	9,5	22	04 0176 00
G1/4	R1/4	69,5	41,5	50,5	27,0	11,0	14,0	21,0	6,5	15	04 0161 00
G1/4	R1/4	69,5	41,5	50,5	27,0	11,0	14,0	21,0	6,5	15	04 0162 00

## Warning

These products are intended for use in industrial compressed air systems only. Do not use these products where pressures and temperatures can exceed those listed under

### »Technical features/data«.

Before using these products with fluids other than those specified, for non-industrial applications, life-support systems or other applications not within published specifications, consult Norgren.

Through misuse, age, or malfunction, components used in fluid power systems can fail in various modes.

The system designer is warned to consider the failure modes of all component parts used in fluid power systems and to provide adequate safeguards to prevent personal injury or damage to equipment in the event of such failure.

System designers must provide a warning to end users in the system instructional manual if protection against a failure mode cannot be adequately provided.

System designers and end users are cautioned to review specific warnings found in instruction sheets packed and shipped with these products.