

- > **Port size: 1/4" ... 3/4" (ISO G/PTF)**
 - > **Easily replaceable cartridge element**
 - > **Removal of oil mist from exhaust air provides cleaner work environment**
 - > **Snap-on liquid sump**
- with manual drain to collect coalesced oil**
 - > **Assists in complying with Noise and COSHH regulations**
 - > **Rugged, corrosion resistant construction**



Technical features

Medium:

Compressed air only

Operating pressure:

0 ... 6 bar (0 ... 87 psi)

Residual oil:

< 0,1 mg/m³ (1 bar 20°C)

Noise reduction:

As low as 69 dBa (dependant on application)

Port sizes:

1/4", 3/8", 1/2" or 3/4"

Ambient temperature:

-20° ... +50°C (0° ... 122°F)

Air supply must be dry enough to avoid ice formation at temperatures below +2°C (+35°F).

Materials:

Body and Yoke: Zinc alloy

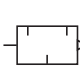
Cage: Aluminium

Element: Composite materials

Bowl: PE

Elastomers: NBR

Technical data, standard models

| Symbol | Port size | Replacement element | Weight (kg) | Model |
|---|--------------|---------------------|-------------|---------------|
|  | G1/4 | 3236-01 | 1,35 | CS13-264-10GG |
| | G3/8 | 3236-01 | 1,33 | CS13-364-10GG |
| | G1/2 | 3236-01 | 1,30 | CS13-464-10GG |
| | G3/4 | 3236-01 | 1,66 | CS13-664-10GG |
| | Without yoke | 3236-01 | 0,89 | CS13-000-0000 |

Option selector

| Port size | Substitute |
|-----------|------------|
| 1/4 | 2 |
| 3/8 | 3 |
| 1/2 | 4 |
| 3/4 | 6 |
| Yoke | Substitute |
| With | 1 |
| Without | 0 |

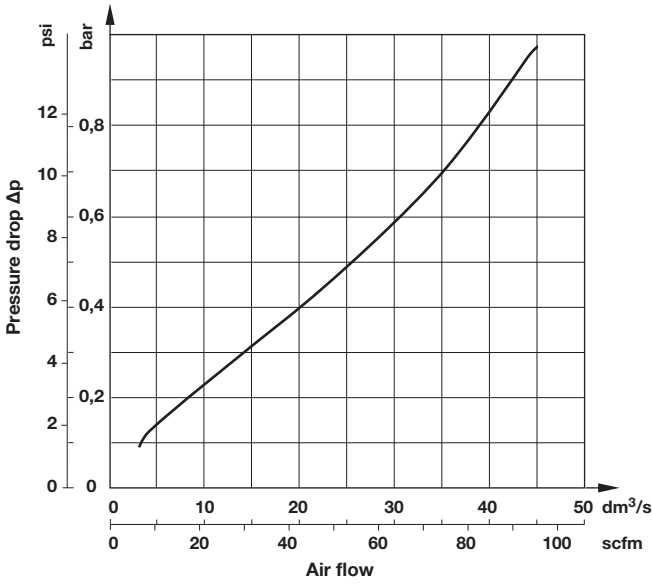
CS13-★64-★0★★

| Thread form | Substitute |
|----------------|------------|
| PTF | AA |
| ISO G parallel | GG |

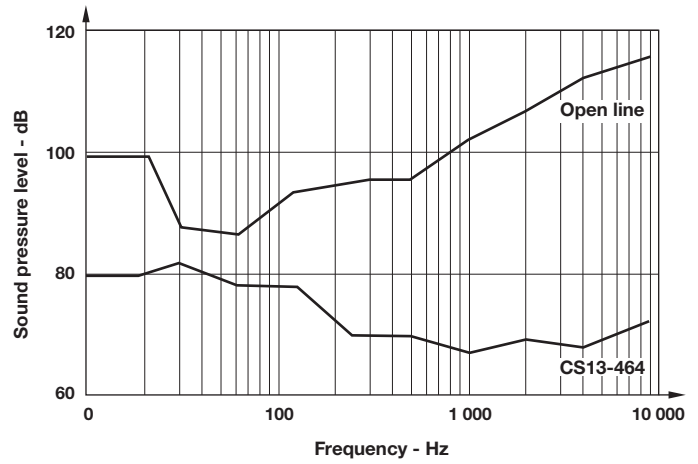
Typical performance characteristics

Flow characteristics


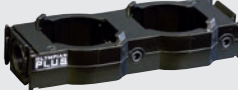


Model: CS13-464



Silencer compared with open line



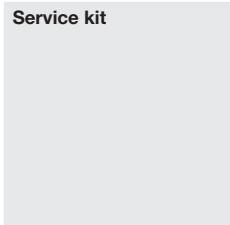
Accessories

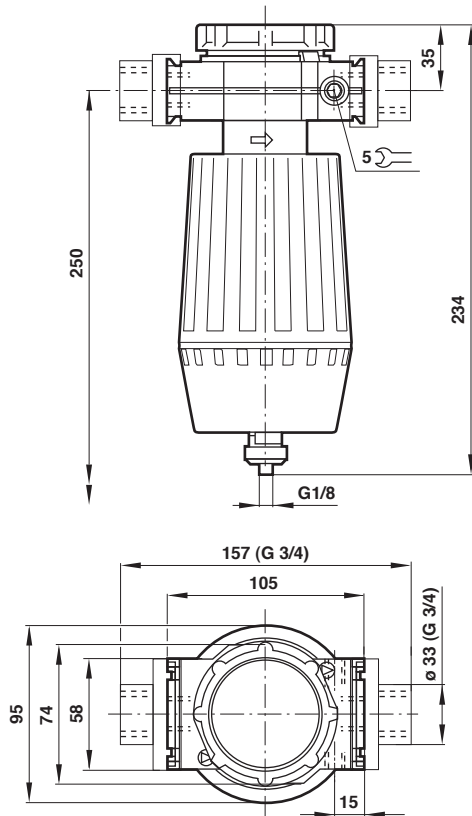
| | Models with G-thread Single yoke | Double yoke | End connector kit | Rear entry bracket kit |
|---|---|---|---|---------------------------|
|  |  |  |  | |
| Thread | | | | |
| G1/4 | Y64A-2GA-N1N | Y64A-2GA-N2N | — | — |
| G3/8 | Y64A-3GA-N1N | Y64A-3GA-N2N | — | — |
| G1/2 | Y64A-4GA-N1N | Y64A-4GA-N2N | 74505-50 | — |
| G3/4 | Y64A-6GA-N1N* | Y64A-6GA-N2N* | 74505-53 | 18-026-981 |

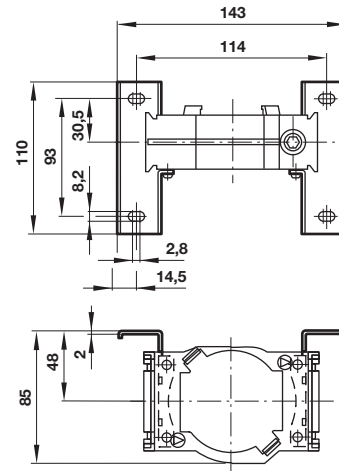
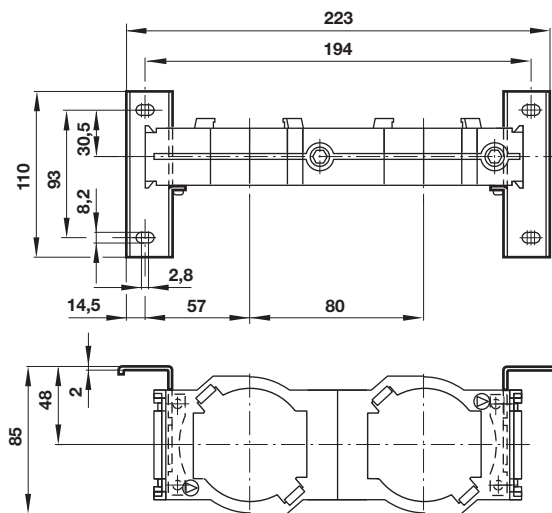
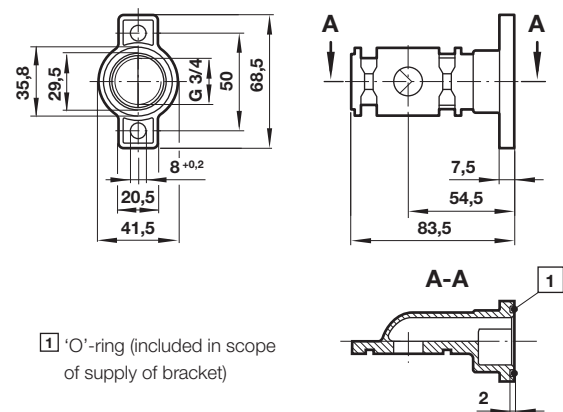
*These yokes are supplied with two end connector kits as standard.

| Bracket mounting | Nut | Yoke connector kit |
|--|---|---|
|  |  |  |
| 74504-50 | 74502-89 | 74503-51 |

Service kit

| Service kit |
|---|
|  |
| CS13RK |

Basic dimensions

Single yoke with bracket mounting

 Dimensions in mm
 Projection/First angle

Double yoke with bracket mounting

Rear entry bracket
18-026-981


1 'O'-ring (included in scope of supply of bracket)

Warning

These products are intended for use in industrial compressed air systems only. Do not use these products where pressures and temperatures can exceed those listed under

»Technical features/data«.

Before using these products with fluids other than those specified, for non-industrial applications, life-support systems or other applications not within published specifications, consult IMI Precision Engineering, IMI International s.r.o. Through misuse, age, or malfunction, components used in fluid power systems can fail in various modes.

The system designer is warned to consider the failure modes of all component parts used in fluid power systems and to provide adequate safeguards to prevent personal injury or damage to equipment in the event of such failure.

System designers must provide a warning to end users in the system instructional manual if protection against a failure mode cannot be adequately provided.

System designers and end users are cautioned to review specific warnings found in instruction sheets packed and shipped with these products.