

- > **Port size: Ø 6 ... 12 mm  
G1/8 ... G3/8**
- > **Configuration flexibility**
- > **Low weight**
- > **No tools required for assembly**



**Technical features**

**Medium:**

Compressed air

**Maximum operating pressure:**

12 bar (174 psi)

**Flow:**

Startpoint 0,55 dm³/s at 6,3 bar

(91.3 psi) inlet pressure

More Information - see below

**Nominal bowl capacity:**

52 ml

**Ambient/Media temperature:**

-20 ... +52°C (-4 ... +125°F)

Air supply must be dry enough to avoid ice formation at temperatures below +2°C (+35°F).

**Materials:**

Body: PBT

Transparent bowl: PC

Sight-feed dome: Transparent PA

Internal parts: Acetal

Elastomers:

Bowl O-ring - CR

All others - NBR

**Technical data - standard models**

Symbol	Port size	Connector	Flow (dm³/s) *1)	Weight (kg)	Model
	G 1/4	With mounting bracket	24 (1440 l/min)	0,19	L92C-2GP-ETN

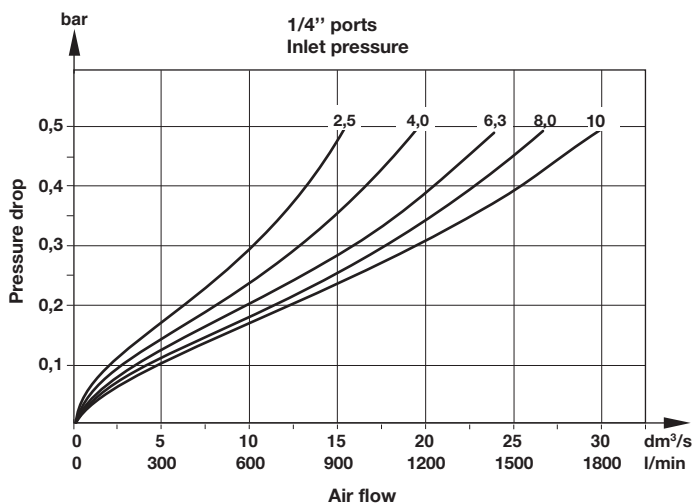
\*1) Typical flow with 6,3 bar inlet pressure and a 0,5 bar drop from set.

**Option selector**

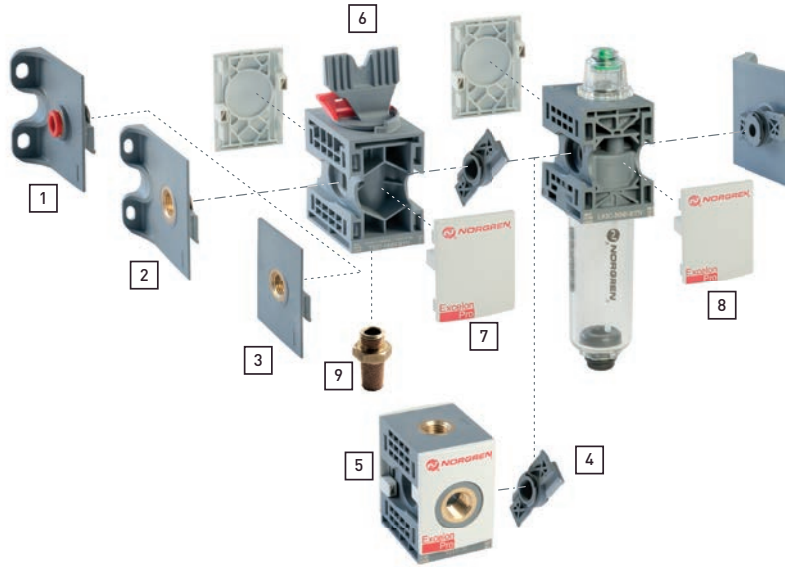
**L92C-★ ★P-ETN**

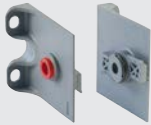

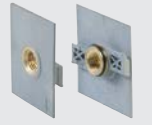
Connector with mounting bracket	Substitute	Connector without mounting bracket	Substitute
6 mm Push-in fitting	<b>6D</b>	G1/4	<b>2V</b>
8 mm Push-in fitting	<b>8D</b>	Connector Without	<b>NN</b>
10 mm Push-in fitting	<b>AD</b>		
12 mm Push-in fitting	<b>BD</b>		
G 1/8	<b>1G</b>		
G 1/4	<b>2G</b>		
G 3/8	<b>3G</b>		

**Flow characteristics**









Component parts and accessories



	Push-in fitting connector with mounting bracket	Threaded connector with mounting bracket	Threaded connector without mounting bracket
			
<b>Port size</b>	<b>1</b>	<b>2</b>	<b>3</b>
G1/8	-	9212KIT-1G	-
G1/4	-	9212KIT-2G	9211KIT-2V
G3/8	-	9212KIT-3G	-
ø 6 mm	9213KIT-6D	-	-
ø 8 mm	9213KIT-8D	-	-
ø 10 mm	9213KIT-AD	-	-
ø 12 mm	9213KIT-BD	-	-

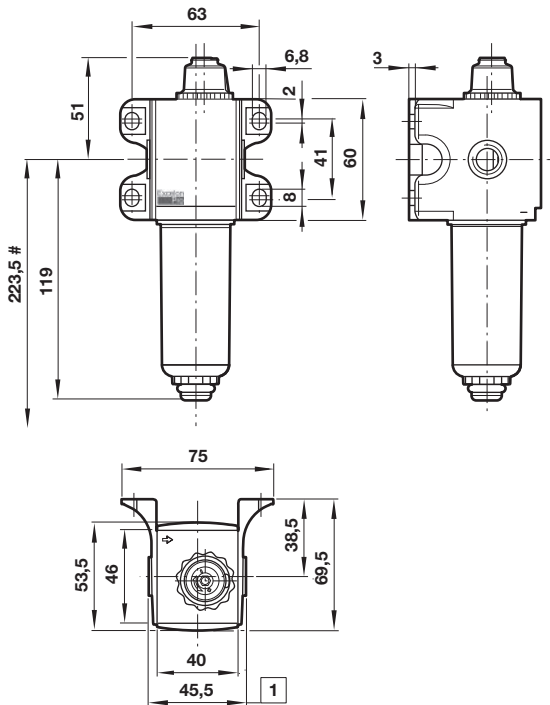
Quick connector	Porting block Plugs not included	Lockout/shut-off valve with exhaust port	Locking plate	Silencer
				
<b>4</b>	<b>5</b>	<b>6</b>	<b>7</b>	<b>9</b>
9210-50	9216-51	T92T-NNN-B1N	9236-88	T40M0500

 Warning  
Locking plates MUST be in place before pressurizing any Excelon Pro unit.

Service kit

Lubricator service kit	Closed bowl bowl set
	
L92C-KIT	9225KIT-52

**Drawings**
**Lubricator with wall mounting bracket**

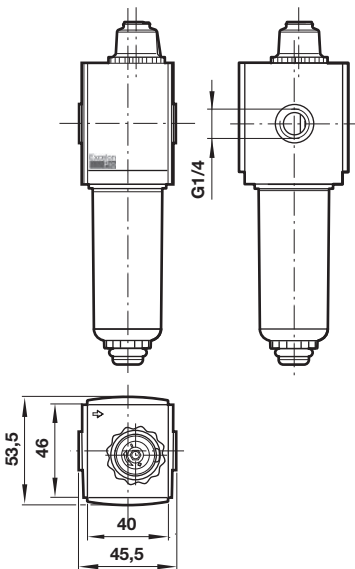
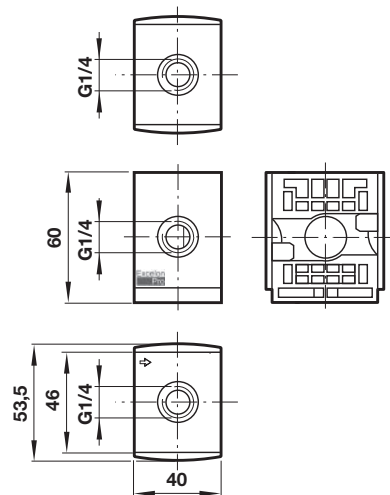
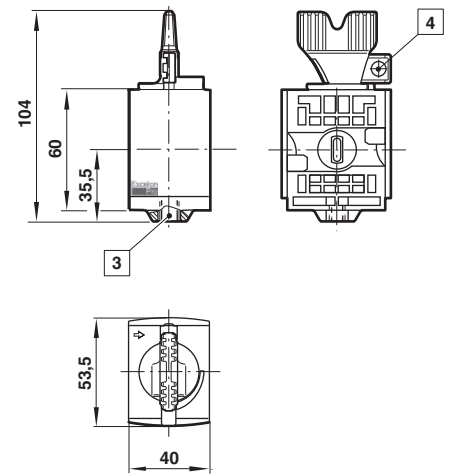
 Dimensions in mm  
Projection/First angle


# Minimum clearance required to remove bowl

**1 Connector Dimensions**

1/8" and 1/4" threaded connectors shown. See below for port-to-port dimensions for additional connectors.

PIF Connector	Port-to-port
6 mm, 8 mm	60
10 mm, 12 mm	62
Threaded connector	
G1/8, G1/4	45,5
G3/8	76

**Lubricator without mounting bracket,  
G 1/4 port size**

**Porting block**

**Lockable/shut off valve**


3 M5 exhaust port

4 Lever lockable only in closed position.

Lock slide accepts ø 7 mm padlock/shackle.

**Warning**

These products are intended for use in industrial compressed air systems only. Do not use these products where pressures and temperatures can exceed those listed under

**»Technical features/data«.**

Before using these products with fluids other than those specified, for non-industrial applications, life-support systems or other applications not within published specifications, consult IMI Precision Engineering, Norgren Inc.

Through misuse, age, or malfunction, components used in fluid power systems can fail in various modes.

The system designer is warned to consider the failure modes of all component parts used in fluid power systems and to provide adequate safeguards to prevent personal injury or damage to equipment in the event of such failure.

System designers must provide a warning to end users in the system instructional manual if protection against a failure mode cannot be adequately provided.

System designers and end users are cautioned to review specific warnings found in instruction sheets packed and shipped with these products.