

**For heavy duty applications with sensor tip
radial loads up to 60 lbs.**
For use in weld applications
Immune to weld fields
Resistant to weld slag
Can be used to detect thread presence



Technical Data

Minimum nut thickness:
 10.0 mm (0.39")

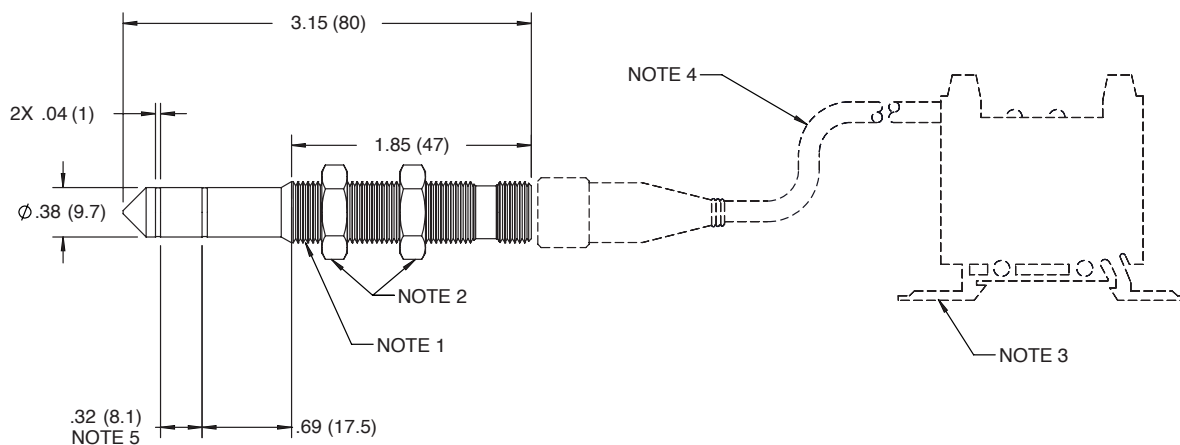
Sensor connector:
 4-pin (male) 12mm (micro) connector

Operating temperature range:
 32°F to 212°F (0°C to 100°C)

Target material:
 Ferrous/Non-Ferrous

Maximum blank thickness:
 2.5mm (0.10")

Dimensions in. (mm)



- Note 1** 2X M12X 1.0
- Note 2** 2X M12 JAM NUTS
- Note 3** SOLD SEPERATELY
- Note 4** SOLD SEPERATELY
- Note 5** SENSING AREA

M12 Nut Detector System

Sensor	Monitor	Cable	Weight
SNS12	SMH36012 (NPN)	SCF12060 2m (6ft)	0.082 lbs / 37 gm
	SMH37012 (PNP)	SCF12160 2m (6ft) (Angled)	

Warning

Improper selection, misuse, age or malfunction of components used in systems can cause failure in various modes. The system designer is warned to consider the failure modes of all component parts and to provide adequate safeguards to prevent personal injury or damage to equipment or property in the event of such failure modes. System designers and end users are cautioned to consult instruction sheets and specifications available from the factory. The system designer/end user is responsible for verifying that all requirements for the application are met.

Warranty

The products described herein are warranted subject to seller's Standard Terms and Condition of Sale, available at seller's website.

Proposition 65: These products may contain chemicals known to the state of California to cause cancer, or birth defects, or other reproductive harm.