

**Abrasion and impact resistant.**  
**For light duty applications with sensor tip radial loads up to 30 lbs.**  
**Exceptional for thread detection and thread quality detection.**  
**Immune to weld fields and resistant to weld slag.**



### Technical Data

**Minimum nut thickness:**

4.0mm (0.16") for M5 nut  
 5.0mm (0.20") for M6 nut  
 6.5mm (0.26") for M8 nut

**Maximum blank thickness:**

is 1.6mm (0.06")

**Sensor connector:**

3-pin (male) 8mm (pico) connector

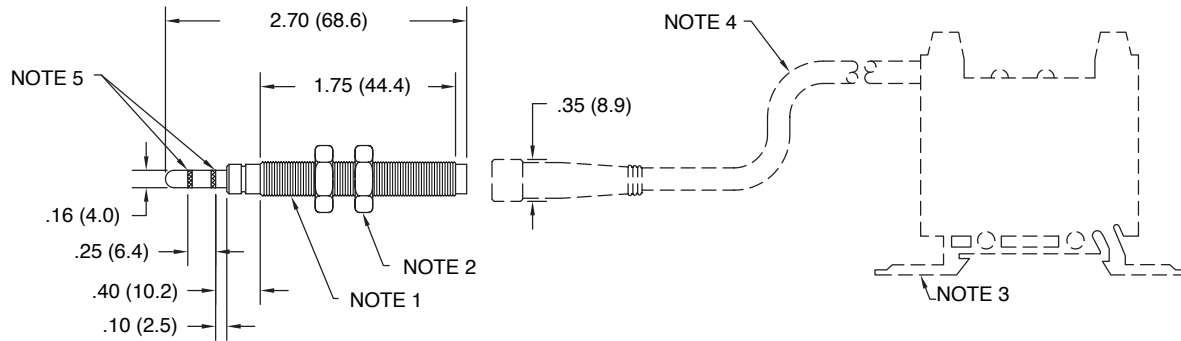
**Operating temperature range:**

32°F to 212°F (0°C to 100°C)

**Target material:**

Ferrous/Non-Ferrous

Dimensions in. (mm)



<b>Note 1</b>	M8 X 1.0
<b>Note 2</b>	2X M8 JAM NUTS
<b>Note 3</b>	SOLD SEPERATELY
<b>Note 4</b>	SOLD SEPERATELY
<b>Note 5</b>	SENSING AREA

### M5 Nut Detector System

Sensor	Monitor	Cable	Weight
SNP50608	SMR36005 (NPN)	SCE13000 2m (6ft)	0.029 lbs / 13 gm
	SMR37005 (PNP)	SCE13001 2m (6ft) (Angled)	

### M6 Nut Detector System

Sensor	Monitor	Cable	Weight
SNP50608	SMR36006 (NPN)	SCE13000 2m (6ft)	0.029 lbs / 13 gm
	SMR37006 (PNP)	SCE13001 2m (6ft) (Angled)	

### M8 Nut Detector System

Sensor	Monitor	Cable	Weight
SNP50608	SMR36008 (NPN)	SCE13000 2m (6ft)	0.029 lbs / 13 gm
	SMR37008 (PNP)	SCE13001 2m (6ft) (Angled)	

### Warning

Improper selection, misuse, age or malfunction of components used in systems can cause failure in various modes. The system designer is warned to consider the failure modes of all component parts and to provide adequate safeguards to prevent personal injury or damage to equipment or property in the event of such failure modes. System designers and end users are cautioned to consult instruction sheets and specifications available from the factory. The system designer/end user is responsible for verifying that all requirements for the application are met.

### Warranty

The products described herein are warranted subject to seller's Standard Terms and Condition of Sale, available at seller's website.

**Proposition 65:** These products may contain chemicals known to the state of California to cause cancer, or birth defects, or other reproductive harm.