

For mounting the Syron Nut Sensor.

Allows sensor probe to retract when nut is out of place.

Allows sensor tip to offset up to 5° off centerline of spring mount to locate misaligned holes.

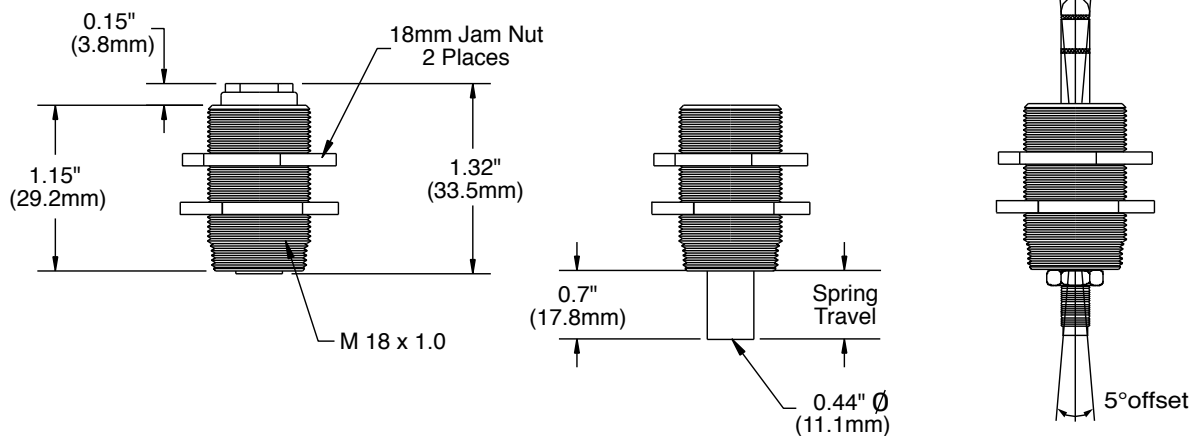


Technical Data

Weight:

53 grams

Dimensions in. (mm)



Warning

Improper selection, misuse, age or malfunction of components used in systems can cause failure in various modes. The system designer is warned to consider the failure modes of all component parts and to provide adequate safeguards to prevent personal injury or damage to equipment or property in the event of such failure modes. System designers and end users are cautioned to consult instruction sheets and specifications available from the factory. The system designer/end user is responsible for verifying that all requirements for the application are met.

Warranty

The products described herein are warranted subject to seller's Standard Terms and Condition of Sale, available at seller's website.

Proposition 65: These products may contain chemicals known to the state of California to cause cancer, or birth defects, or other reproductive harm.