

# BL82 Excelon® Plus Modular System Filter/Regulator – Lubricator Combination Units



- > Port size: 1/4" & 3/8" (ISO G/PTF)
- > Unique Quikclamp connection system offers full modularity
- > 40 micron particle and high efficiency water removal (> 95%)
- > Double safety lock on bowl
- > Shut off valve, and filter regulator with tamper resistance feature
- > Metal bowl with prismatic liquid level indicator
- > Light weight guarded polycarbonate bowl
- > Easy to read flush mounted integrated pressure gauge as standard
- > All round (360°) visibility of sightdome for ease of drip rate setting



## Technical features

### Medium:

Compressed air only

### Maximum supply pressure:

Polycarbonate bowl:  
145 psi (10 bar)  
Metal bowl: 246 psi (17 bar)

### Outlet pressure ranges:

4 to 145 psi (0.3 to 10 bar)

### Filter element:

40 µm

### Port size:

G1/4, G3/8, 1/4 PTF, 3/8 PTF

### Gauge:

Integrated as standard

### Diaphragm Type:

Relieving

### Drain:

Manual or automatic

### Automatic drain operating conditions (float operated):

Bowl pressure required to close drain: > 5 psi (0.35 bar)  
Bowl pressure required to open drain: ≤ 2.9 psi (0.2 bar)  
Minimum air flow required to close drain: 2 scfm (1 dm<sup>3</sup>/s)

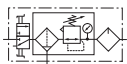
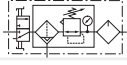
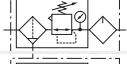
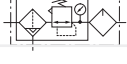
### Ambient/Media temperature:

+14 ... +140°F (-10 ... +60°C)  
Metal bowl:  
-4 ... +149°F (-20 ... +65°C)  
Air supply must be dry enough to avoid ice formation at temperatures below +35°F (+2°C).

### Materials:

Body: Die cast aluminum  
Body covers: ABS  
Bonnet: Acetal  
Valve: PP  
Bowl: Transparent PC with PP guard or die cast zinc  
Liquid level indicator lens (metal bowl): PA  
Filter element: sintered PP  
Bowl "o" - ring: Chloroprene  
Elastomers: NBR

## Technical data BL82

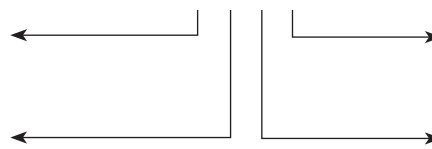
Symbol	Port Size (PTF)	Shutoff Valve	Drain	Lubricator Type	Bowl	Weight lb (kg)	Model *1
	1/4	With	Manual	Microfog	Metal with level indicator	2.9 (1.3)	BL82-271A
	3/8	With	Manual	Microfog	Metal with level indicator	2.9 (1.3)	BL82-371A
	1/4	With	Auto	Microfog	Guarded polycarbonate	2.0 (0.9)	BL82-201A
	3/8	With	Auto	Microfog	Guarded polycarbonate	2.0 (0.9)	BL82-301A
	1/4	Without	Manual	Microfog	Metal with level indicator	2.2 (1.0)	BL82-275A
	3/8	Without	Manual	Microfog	Metal with level indicator	2.2 (1.0)	BL82-375A
	1/4	Without	Auto	Microfog	Guarded polycarbonate	1.4 (0.6)	BL82-205A
	3/8	Without	Auto	Microfog	Guarded polycarbonate	1.4 (0.6)	BL82-305A

\*1) All models shown here are supplied with integrated gauge applicable for flow direction left to right. With flow direction right to left please use the online configurator [www.imi-precision.com/air-preparation-configurator](http://www.imi-precision.com/air-preparation-configurator) or contact IMI Norgren

### Option selector \*1)

Port size	Substitute
1/4"	2
3/8"	3
Units	Substitute
Filter/Regulator w. auto drain, Micro fog lubricator, Polycarbonate bowls	0
Filter/Regulator w. auto drain, Oil fog lubricator, Polycarbonate bowls	1
Filter/Regulator w. manual drain, Micro fog lubricator, Polycarbonate bowls	2
Filter/Regulator w. manual drain, Oil fog lubricator, Polycarbonate bowls	3
Filter/Regulator w. auto drain, Micro fog lubricator, Metal bowls	5
Filter/Regulator w. auto drain, Oil fog lubricator, Metal bowls	6
Filter/Regulator w. manual drain, Micro fog lubricator, Metal bowls	7
Filter/Regulator w. manual drain, Oil fog lubricator, Metal bowls	8

BL82-★★★★

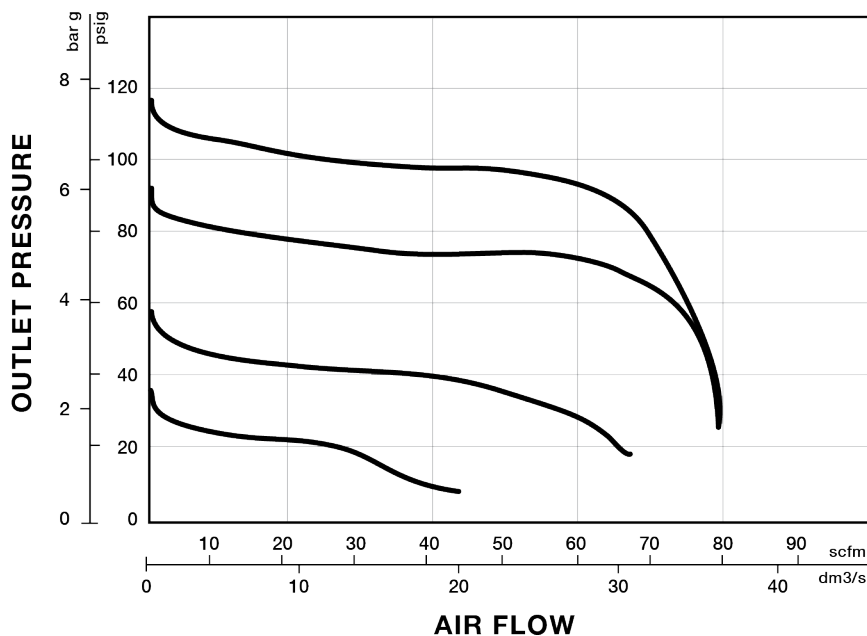


Thread form	Substitute
PTF	A
ISO G parallel	G
Accessories	Substitute
Shut-off valve and Gauge and brackets	1
Gauge and bracket	5













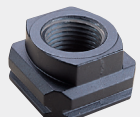
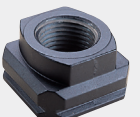
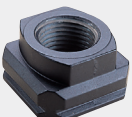
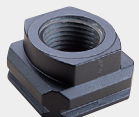
\*1) All models shown here are applicable for flow direction left to right. With flow direction right to left please use the online configurator [www.imi-precision.com/air-preparation-configurator](http://www.imi-precision.com/air-preparation-configurator) or contact IMI Norgren

### Flow characteristics


**Inlet pressure: 145 psi (10 bar)**  
**Range: 4 to 145 psi (0.3 to 10 bar)**  
**Port size: 1/4", 40 µm element**




## Accessories

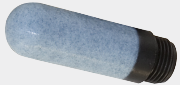
<b>Quikclamp®</b>  page 6 820014-51KIT	<b>Quikclamp® with bracket assembled</b>  page 6 820014-52KIT	<b>Pressure sensing block 1/4 PTF</b>  page 6 820016-50KIT	<b>Pressure sensing block G1/4</b>  page 6 820016-51KIT
<b>Integrated gauge 10 bar gauge</b>  page 6 820073-01KIT	<b>Gauge adaptor kit 1/8 PTF</b>  page 6 820100-01KIT	<b>Gauge adaptor kit R 1/8</b>  page 6 820100-02KIT	
<b>Full flow porting block 3/8 PTF</b>  page 7 820028-50KIT	<b>Full flow porting block G3/8</b>  page 7 820028-53KIT	<b>Pressure switch interface block (18D pressure switch)</b>  page 7 0523109000000000	<b>Pneumatic pressure switch 18D (0,5 ... 8 bar) *1)</b>  page 7 0881300000000000
			<b>Digital pressure switch 51D(-1 ... 10 bar) *2)</b>  page 8 0860811000000000
<b>Port Adaptors 1/4 PTF</b>  page 7 820015-02KIT	<b>Port Adaptors 3/8 PTF</b>  page 7 820015-03KIT	<b>Port Adaptors G1/4</b>  page 7 820015-08KIT	<b>Port Adaptors G3/8</b>  page 7 820015-09KIT


## Padlock

<b>Padlock</b>  840055-01KIT
---

<b>Lockout device</b>  840055-02KIT
--

## Silencer

<b>Porous plastic silencer *3) G1/4</b>  M/S2
--

<b>Porous plastic silencer *3) 1/4 PTF</b>  C/S2
--

<b>Sintered bronze silencer 1/4 PTF</b>  MS002A
--

\*3) Max. pressure of silencers listed in this data sheet : 145 psi (10 bar.) For pressure higher than 145 psi (10 bar) please contact IMI Norgren.

## Maintenance/Service

Auto drain kit with metal Nut - Imperial



6000-61KIT

Auto drain kit with metal Nut - Metric



6000-60KIT

R82 / B82 Elastomer Kit



FRLB82-KIT

Filter cartridges 40 micron



820038-51KIT

Lubricator sight dome kit



Micro fog (red) 840055-50KIT  
Oil fog (green) 840055-51KIT

## Spare parts

Filter Bowl  
(Guarded Poly bowl with auto drain 6 mm PIF)



820025-51KIT

Filter Bowl  
(Guarded Poly bowl with manual drain)



820025-50KIT

Filter Bowl  
(Metal with S/Glass & auto drain, 6 mm PIF)



820003-51KIT

Filter Bowl  
(Metal with S/Glass & manual drain)



820003-50KIT

Filter Bowl  
(Guarded Poly bowl with auto drain, 1/4 PIF)



820025-53KIT

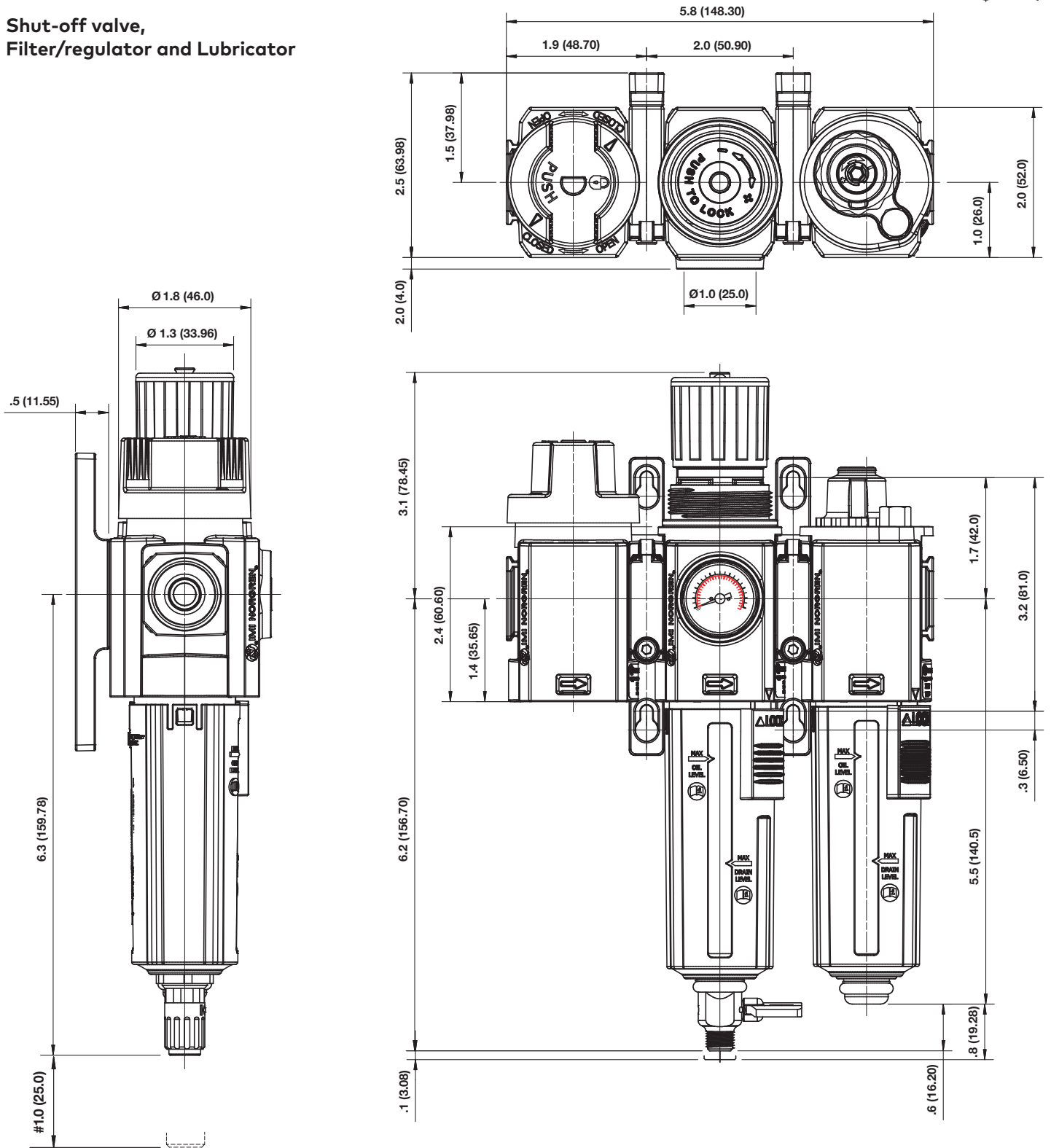
Filter Bowl  
(Metal with S/Glass & auto drain, 1/4 PIF)



820003-56KIT

## Dimensions

### Shut-off valve, Filter/regulator and Lubricator

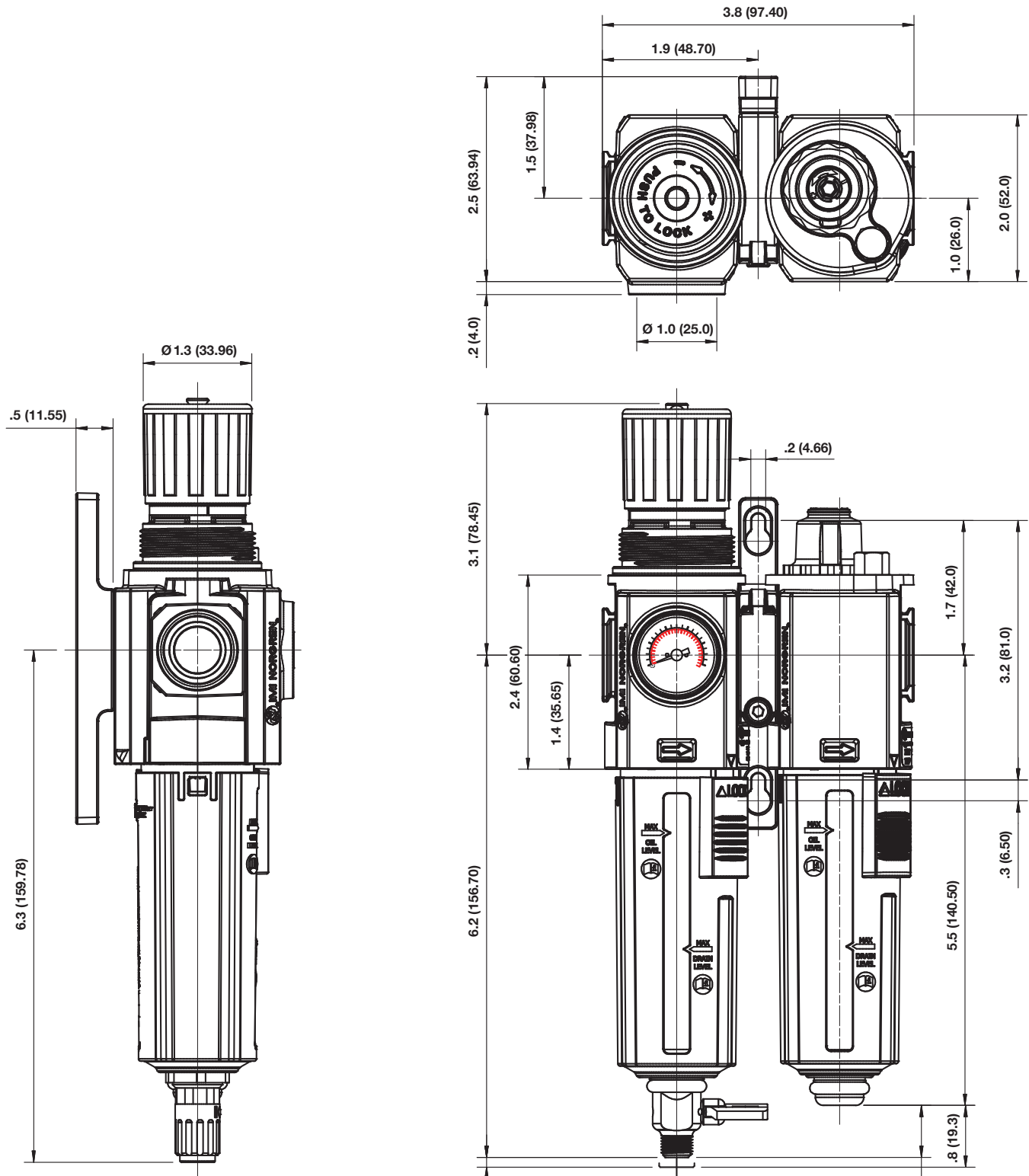


# Minimum clearance for bowl removal

## Dimensions

### Filter/regulator and Lubricator

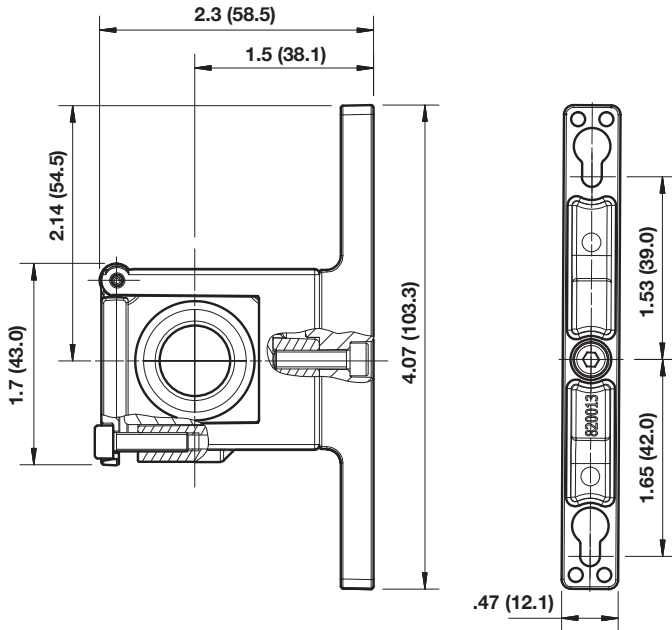
Dimensions in inches (mm)  
Projection/Third angle



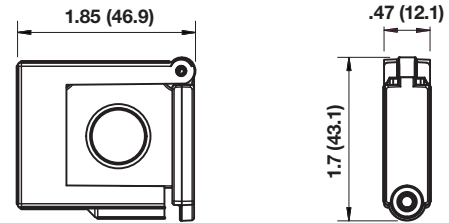
## Accessories

Dimensions in inches (mm)  
Projection/Third angle

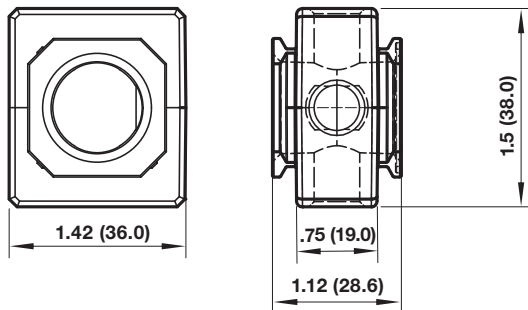
**Quikclamp® with wall bracket**



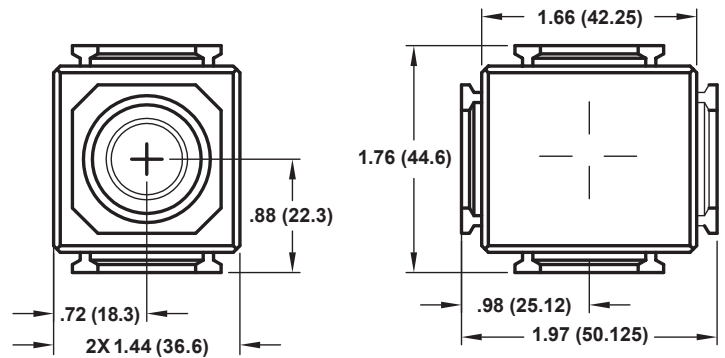
**Quikclamp®**



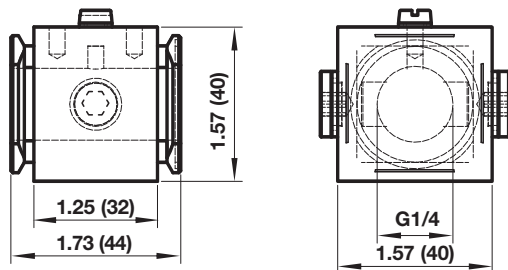
**Pressure sensing block**



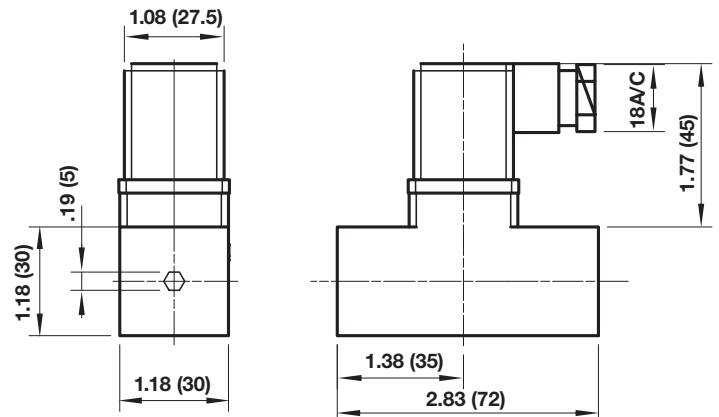
**Full flow porting block**



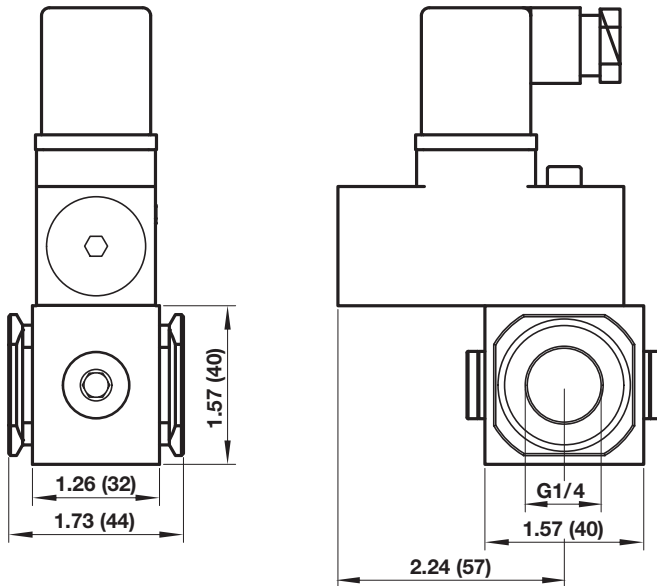
**Porting block for 18D pressure switch**



**18D Pressure switch**

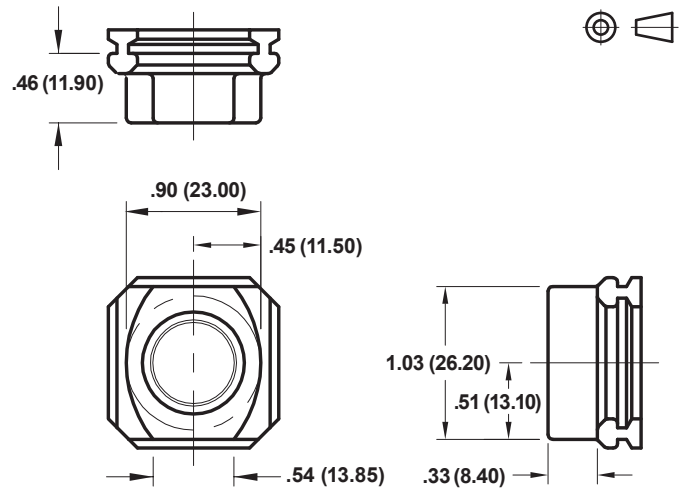


### 18D Porting block and 18D assembled

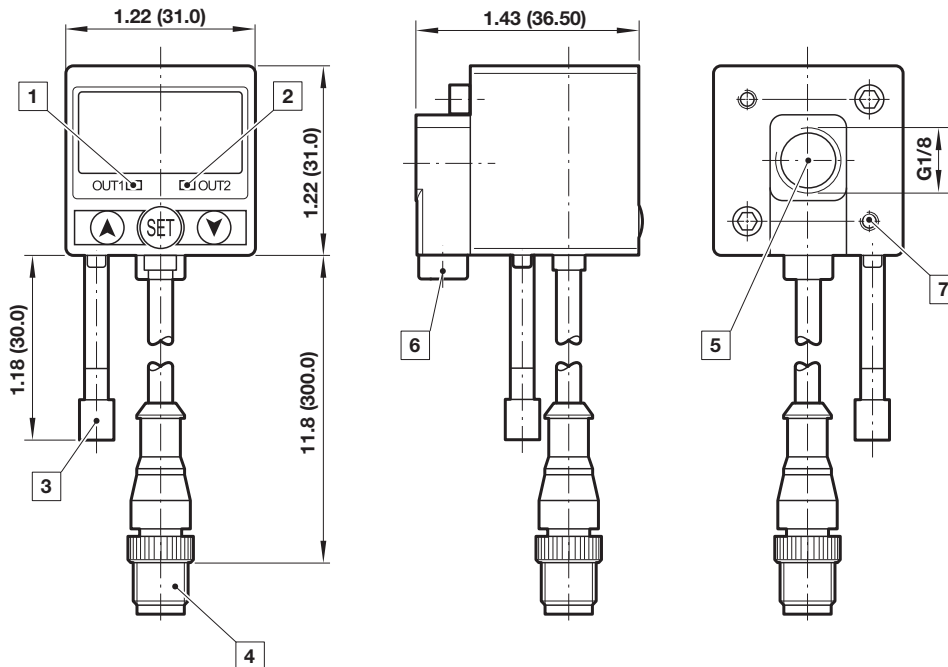


### Pipe adaptor

Dimensions in inches (mm)  
Projection/Third angle



### 51D Pressure switch - digital



- 1 Switch OUT 1, green LED
- 2 Switch OUT 2, red LED
- 3 Dustproof protector
- 4 Connector M12 x 1
- 5 Inlet port
- 6 Alternative inlet port G1/8 plugged
- 7 Thread for mounting screw

### Warning

These products are intended for use in industrial compressed air systems only. Do not use these products where pressures and temperatures can exceed those listed under »Technical features/data«. Before using these products with fluids other than those specified, for non-industrial applications, life-support systems or other applications not within published specifications, consult IMI Precision Engineering, Norgren Ltd.

Through misuse, age, or malfunction, components used in fluid power systems can fail in various modes. The system designer is warned to consider the failure

modes of all component parts used in fluid power systems and to provide adequate safeguards to prevent personal injury or damage to equipment in the event of such failure.

System designers must provide a warning to end users in the system instructional manual if protection against a failure mode cannot be adequately provided. System designers and end users are cautioned to review specific warnings found in instruction sheets packed and shipped with these products.