



# P82C 3/2 Control Valve

## Excelon Plus Modular System

- > Port size: 1/4" to 3/8" (ISO G/PTF)
- > Excelon® Plus design allows in-line installation or modular installation with other Excelon® Plus products
- > High forward flow capacity
- > 3 port/2 position valve, normally closed
- > High flow dump facility
- > Solenoid and air pilot options



### Technical features

#### Medium:

Compressed air only

#### Maximum supply pressure:

145 psi (10 bar)

#### Minimum operating pressure:

43 psi (3 bar)

Air Pilot pressure must be equal to or greater than the supply pressure.

#### Port size:

G1/4, G3/8, 1/4 PTF, 3/8 PTF

#### Flow:

43 scfm (20 dm<sup>3</sup>/s) at port size 1/4"  
Full flow P1 to P2 @ 91 psi (6.3 bar) inlet, with 7 psi (0.5 bar) pressure drop  
P2 to P3 = 43 scfm (20 dm<sup>3</sup>/s)

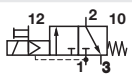
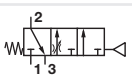
#### Ambient/Media temperature:

-4 to +149°F (-20 to +65°C)  
Air supply must be dry enough to avoid ice formation at temperatures below +35°F (+2°C).

#### Materials:

Body: Aluminum  
End Caps: Aluminum  
Body covers: ABS  
Elastomers: NBR  
Valve: Brass  
Air Pilot: Aluminum




### Technical data P82C

Symbol	Port Size (PTF)	Function	Voltage	Exhaust Port (PTF)	Weight lbs (g)	Model
	1/4	Solenoid/spring	24 VDC	1/4	0.98 (444)	P82C-2AT-PFA
	3/8	Solenoid/spring	24 VDC	1/4	0.98 (444)	P82C-3AT-PFA
	1/4	Air/spring	NA	1/4	0.98 (444)	P82C-2AA-NNN
	3/8	Air/spring	NA	1/4	0.98 (444)	P82C-3AA-NNN

### Electrical details for solenoid operators

<b>Voltage tolerance:</b>	-10%/+15%
<b>Rating:</b>	100% continuous duty
<b>Inlet orifice:</b>	0.8mm
<b>Electrical connection:</b>	15mm DIN EN 175301-803 (DIN 43 50) Table C
<b>Manual override:</b>	Shrouded push button, spring return
<b>Protection class:</b>	IP65 with sealed plug (ISO 6952) NEMA 4
<b>Materials:</b>	PP5 (body), NBR (seals)

### Voltage rating and spare coils

	Voltage	Power	Replacement
	24 VDC	1.2 W	840650-50KIT
	110 VAC	1.5 VA	840650-51KIT
	220 VAC	1.5 VA	840650-52KIT

### Option selector \*1

### P82C-2AT-PFA

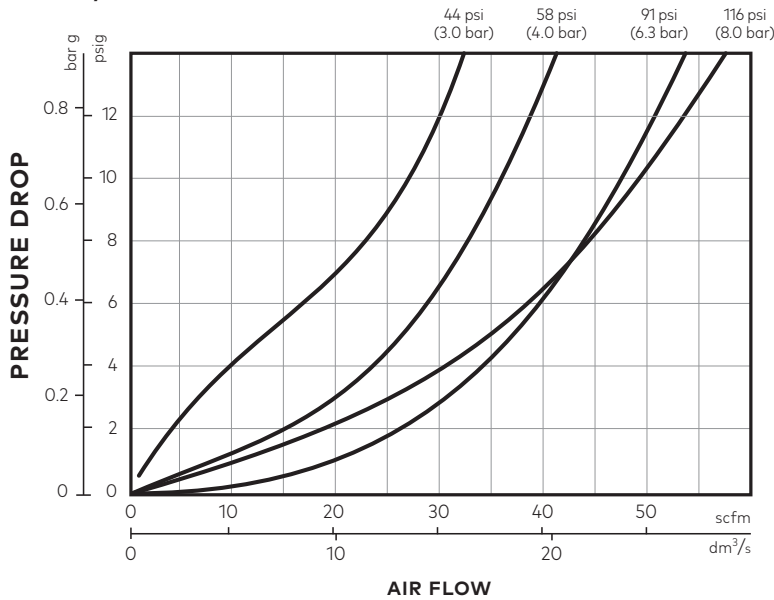
Function	Substitute
3/2 Control Valve	C
Port Size	Substitute
1/4"	2
3/8"	3
Thread Form	Substitute
PTF	A
ISO G	G
Operator	Substitute
Air Pilot	A
Solenoid Operated	T

Connector	Substitute
With connector	A
none	N
Solenoid	Substitute
110/120 VAC	A
220/240 VAC	B
24 VDC	F
none	N
Solenoid Operator	Substitute
Non-Locking push button	P
none	N

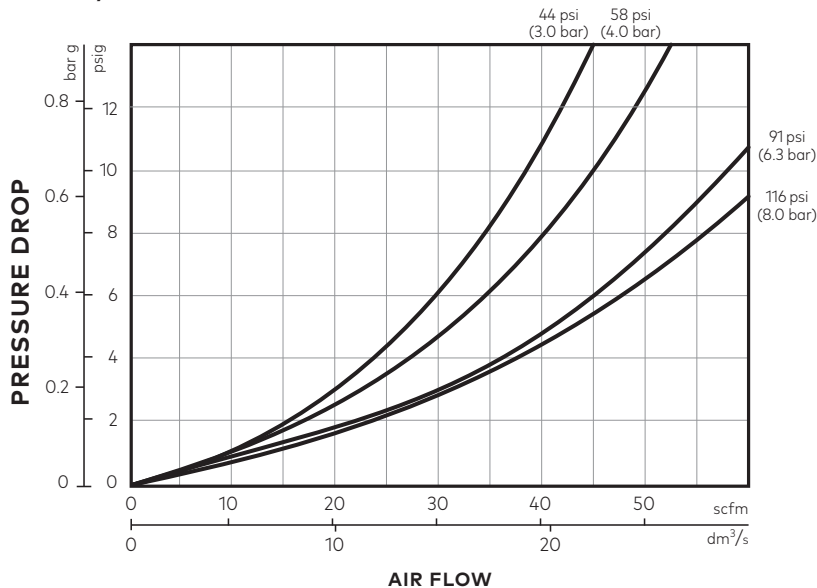
\*1) To order air pilot models, select P82C-\*\*A-NNN

### Flow characteristics

Port size: 1/4"



Port size: 3/8"



## Accessories

**Quikclamp®**



820014-51KIT

**Quikclamp® with bracket assembled**



820014-52KIT

**Pressure sensing block 1/4 PTF**



820016-50KIT

**Pressure sensing block G1/4**



820016-51KIT

**Full flow porting block 3/8 PTF**



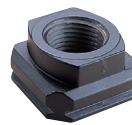
820028-50KIT

**Full flow porting block G3/8**



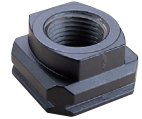
820028-53KIT

**Port Adaptors 1/4 PTF**



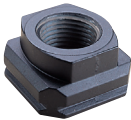
820015-02KIT

**Port Adaptors 3/8 PTF**



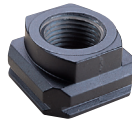
820015-03KIT

**Port Adaptors G1/4**



820015-08KIT

**Port Adaptors G3/8**



820015-09KIT

**Air Pilot Operator 1/8 PTF**



840623-50KIT

**Air Pilot Operator 1/8 ISO G**



840623-51KIT

## Silencer

**Heavy duty muffler, 1/4" NPT male thread, brass wire element**



MB002A

**Heavy duty muffler, R1/4 male thread, brass wire element**



MB002B

## Accessories continued

### Connection cable with plug, LED and M12 Female



Description	Cable length ft. (m)	Model
PUR-Cable; M12/valve type C DIN connector	1.97 (0,6)	NC-DINCA-123MS-A
	3.28 (1)	NC-DINCA-123MS-1
	6.56 (2)	NC-DINCA-123MS-2
	16.40 (5)	NC-DINCA-123MS-5

### Plug with with moulded cable and indicator



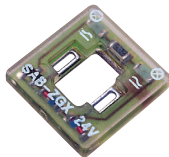
Voltage	Cable length ft. (m)	Model
12 - 24 V a.c. / d.c	3.28 (1)	V10014-D01
12 - 24 V a.c. / d.c	9.84 (3)	V10014-D03
110 V a.c. / d.c.	3.28 (1)	V10015-D01
110 V a.c. / d.c.	9.84 (3)	V10015-D03
220 V a.c. / d.c	3.28 (1)	V10016-D01
220 V a.c. / d.c	9.84 (3)	V10016-D03

### Plug with moulded cable



Description	Cable length ft. (m)	Model
3 pin plug with moulded cable	3.28 (1)	V10013-D01
3 pin plug with moulded cable	9.84 (3)	V10013-D03

### Light Emitting Seals, 15mm form C



Description	Model
Light Emitting Seals Circuit A (12 - 24 V d.c.)	V10037-E13
Light Emitting Seals Circuit B (110 - 120 V a.c.)	V10037-E18
Light Emitting Seals Circuit B (220 - 240 V a.c.)	V10037-E19

### Plug with cable gland and indicator



Description	Model
Plug with cable gland and indicator 12-24 V a.c. / d.c., c/w LED / VDR	V10012-D13
Plug with cable gland and indicator 110 V a.c. / d.c., c/w LED / VDR	V10012-D18
Plug with cable gland and indicator 220 V a.c. / d.c., c/w LED / VDR	V10012-D19

### M12 Adaptor Top - MSUP Valve Plug Form C 8MM



7000-42831-0000000

### M12 Adaptor Rear - MSUP Valve Plug Form C 8MM



7000-42811-0000000

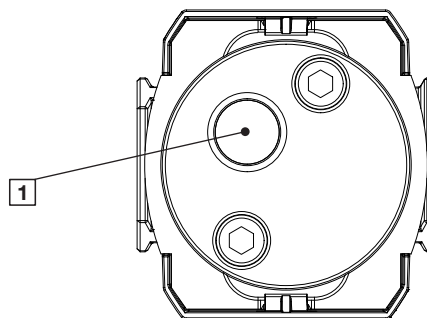
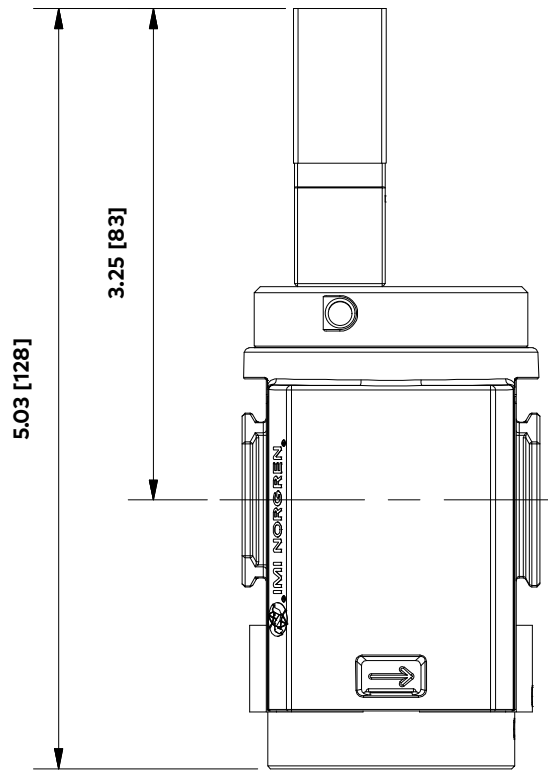
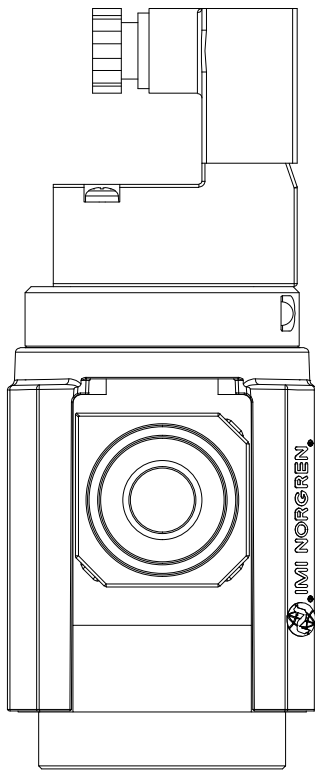
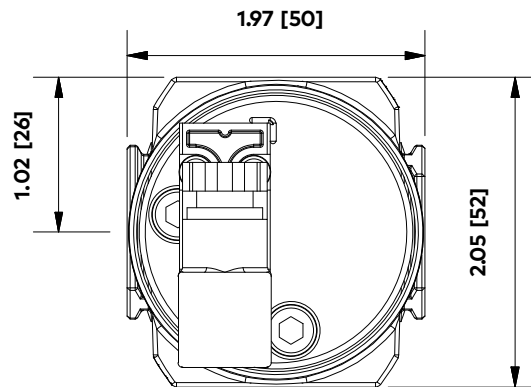
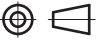
### Plug with cable gland



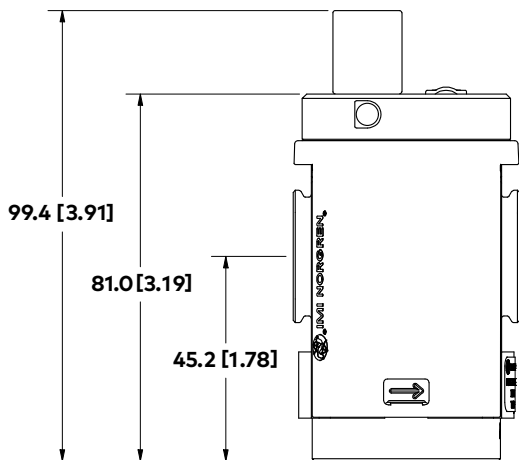
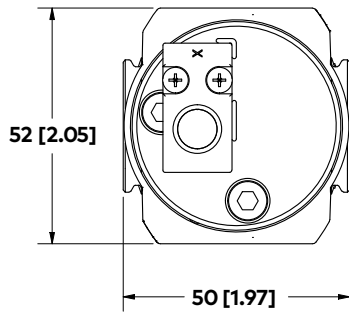
V10027-D00

## Dimensions

Dimensions in mm  
Projection/Third angle

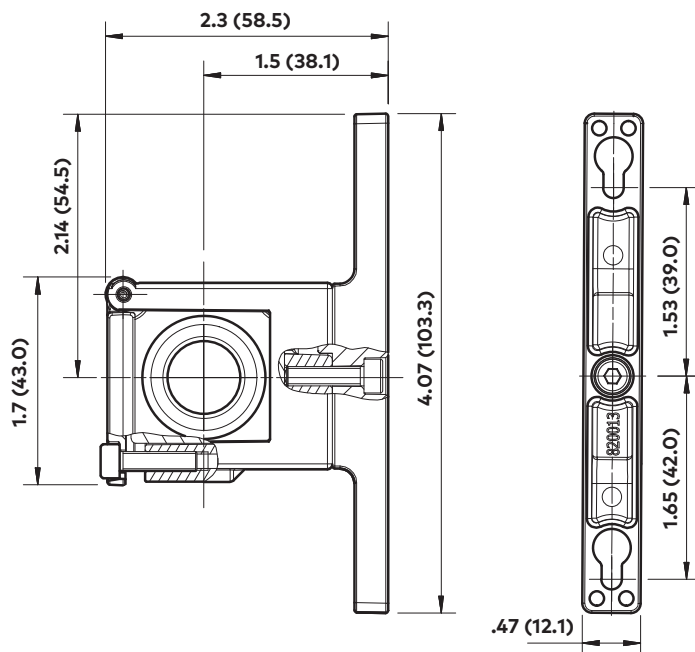


1 1/4" exhaust port  
(NPT or ISO G)



## Accessories

### Quikclamp® with wall bracket



### Quikclamp®

