

- > **Visual indication of system status**
- > **Indicate presence or absence of pressure**

- > **Contrasting, fluorescent indicator colors**



Technical features

Operation:

Pressure applied to an internal piston/diaphragm assembly compresses a spring, moving a linkage which rotates the colored indicator ball. When full actuation pressure is reached, the indicator ball rotates fully, changing the indicator color. When the pressure signal is removed, the internal spring returns the indicator ball to its non-actuated color/position.

Specifications

Fluid: Compressed air, nitrogen, or inert gases

Air consumption: None

Working pressure: See chart

Temperature range:

35F° to 150°F (2°C to 66°C)

Materials of construction:

Body:

5VS-1XX-XXX – Acetal

5VS-4XX-XXX – Polyphenylene

5VS-1XX-XXX – Acetal

End plug:

5VS-1XX-XXX – Acetal

5VS-4XX-XXX – Aluminum

Piston: Acetal

Elastomer: Buna-N

Lens: Acrylic

General information

Part number 10-32 UNF* (Female)	Normal color	Actuated color	UNF thread port	Operating pressure ranges psig (bar)	Maximum pressure psig (bar)	Actuation pressure psig (bar)	Deactuation pressure psig (bar)	Mounting hole ø inches (mm)
5VS-101-000	Black	Red	10-32 UNF* (Female)	1 to 15 (0.07 to 1)	15 (1)	1 (0.07)	15" H ₂ O (38 mbar)	0.72 (18.3)
5VS-102-000	Black	Green	10-32 UNF* (Female)	1 to 15 (0.07 to 1)	15 (1)	1 (0.07)	15" H ₂ O (38 mbar)	0.72 (18.3)
5VS-103-000	Black	Yellow	10-32 UNF* (Female)	1 to 15 (0.07 to 1)	15 (1)	1 (0.07)	15" H ₂ O (38 mbar)	0.72 (18.3)
5VS-112-000	Red	Green	10-32 UNF* (Female)	1 to 15 (0.07 to 1)	15 (1)	1 (0.07)	15" H ₂ O (38 mbar)	0.72 (18.3)
5VS-121-000	Green	Red	10-32 UNF* (Female)	1 to 15 (0.07 to 1)	15 (1)	1 (0.07)	15" H ₂ O (38 mbar)	0.72 (18.3)

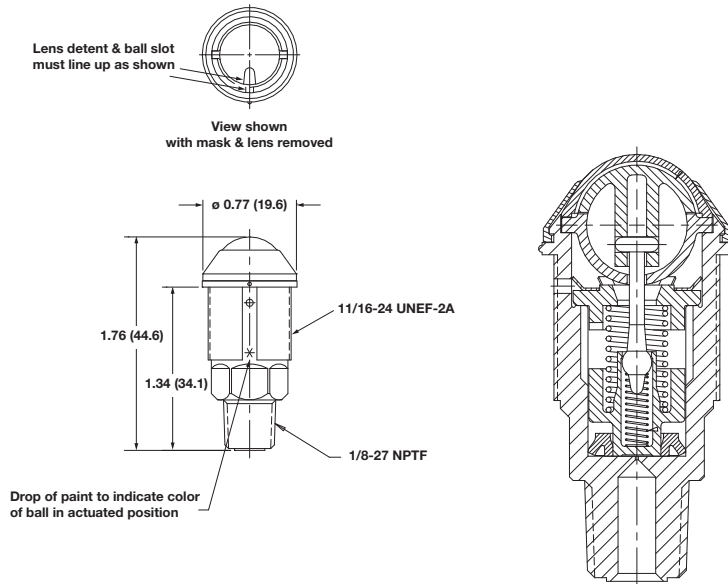
*Furnished with an adapter for use with 1/16" ID flexible tubing.

Part number 1/8 NPTF (Female)	Normal color	Actuated color	NPT thread port	Operating pressure ranges psig (bar)	Maximum pressure psig (bar)	Actuation pressure psig (bar)	Deactuation pressure psig (bar)	Mounting hole ø inches (mm)
5VS-401-000	Black	Red	1/8 NPTF (Female)	10 to 125 (0.07 to 8.6)	125 (8.6)	10 (0.7)	2 (0.14)	1.22 (31.0)
5VS-402-000	Black	Green	1/8 NPTF (Female)	10 to 125 (0.07 to 8.6)	125 (8.6)	10 (0.7)	2 (0.14)	1.22 (31.0)
5VS-403-000	Black	Yellow	1/8 NPTF (Female)	10 to 125 (0.07 to 8.6)	125 (8.6)	10 (0.7)	2 (0.14)	1.22 (31.0)
5VS-412-000	Red	Green	1/8 NPTF (Female)	10 to 125 (0.07 to 8.6)	125 (8.6)	10 (0.7)	2 (0.14)	1.22 (31.0)
5VS-421-000	Green	Red	1/8 NPTF (Female)	10 to 125 (0.07 to 8.6)	125 (8.6)	10 (0.7)	2 (0.14)	1.22 (31.0)

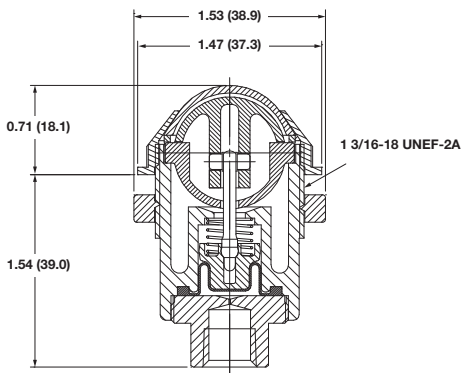
Part number 1/8 NPTF (Male)	Normal color	Actuated color	NPT thread port	Operating pressure ranges psig (bar)	Maximum pressure psig (bar)	Actuation pressure psig (bar)	Deactuation pressure psig (bar)	Mounting hole ø inches (mm)
5VS-201-000	Black	Red	1/8 NPTF (Male)	15 to 150 (1 to 10.3)	150 (10.3)	15 (1)	2 (0.14)	0.72 (18.3)
5VS-202-000	Black	Green	1/8 NPTF (Male)	15 to 150 (1 to 10.3)	150 (10.3)	15 (1)	2 (0.14)	0.72 (18.3)
5VS-203-000	Black	Yellow	1/8 NPTF (Male)	15 to 150 (1 to 10.3)	150 (10.3)	15 (1)	2 (0.14)	0.72 (18.3)
5VS-212-000	Red	Green	1/8 NPTF (Male)	15 to 150 (1 to 10.3)	150 (10.3)	15 (1)	2 (0.14)	0.72 (18.3)
5VS-221-000	Green	Red	1/8 NPTF (Male)	15 to 150 (1 to 10.3)	150 (10.3)	15 (1)	2 (0.14)	0.72 (18.3)

5VS-201-254-XXX

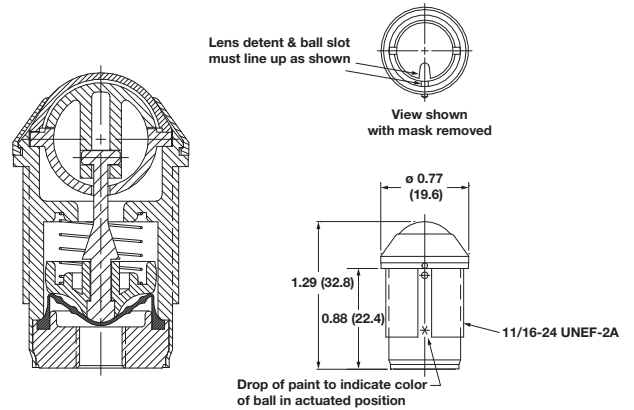
Dimensions in inches (mm)
Projection/First angle



5VS-401-454-XXX



5VS-101-162-XXX



Warning

Improper selection, misuse, age or malfunction of components used in systems can cause failure in various modes. The system designer is warned to consider the failure modes of all component parts and to provide adequate safeguards to prevent personal injury or damage to equipment or property in the event of such failure modes. System designers and end users are cautioned to consult instruction sheets and specifications available from the factory. The system designer/end user is responsible for verifying that all requirements for the application are met.

Warranty

The products described herein are warranted subject to seller's Standard Terms and Condition of Sale, available at seller's website.

Proposition 65: These products may contain chemicals known to the state of California to cause cancer, or birth defects, or other reproductive harm.