

# L22 Lubricator (stainless steel)



- > Port size: 1/2 PTF
- > Applications include marine environment, oil and gas production, chemical and industrial compressed air systems

- > Metallic parts meet NACE \*

\* National Association of Corrosion Engineers (NACE) MR-01-75 defines requirements for sulphide stress cracking resistant materials used in well-head and other corrosive environments.



## Technical features

### Medium:

Compressed air

### Operating pressure:

17 bar max (246 psi)

### Start point:

1,7 dm<sup>3</sup>/s at 6,3 bar (51 psi)

### Port sizes:

1/2 PTF

### Ambient/Media temperature:


-20 ... +80°C (-4 ... +176 °F)

Air supply must be dry enough to avoid ice formation at temperatures below +2°C (+35 °F).

### Materials:

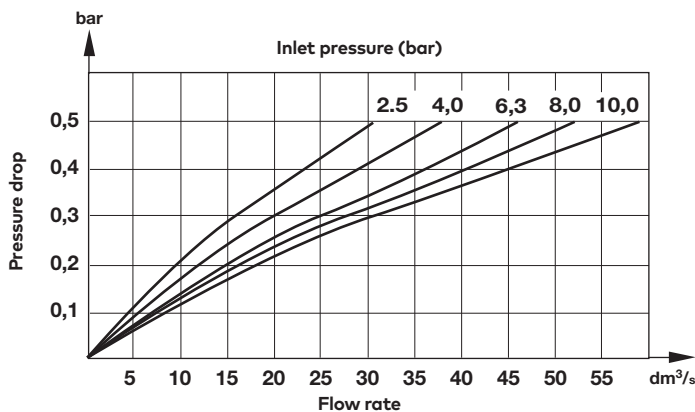
Body & bowl: stainless steel  
Elastomers: Synthetic rubber

## Technical data, standard model

Symbol	Port size	Flow *1) (dm <sup>3</sup> /s)	Weight (kg)	Model
	1/2 PTF	48	1,93	L22-400-OP8A

\*1) Flow with 6,3 bar inlet pressure and a 0,5 bar drop from set.

## Flow characteristics



## Accessories

### Wall mounting bracket



## Spares kit

### Service kit



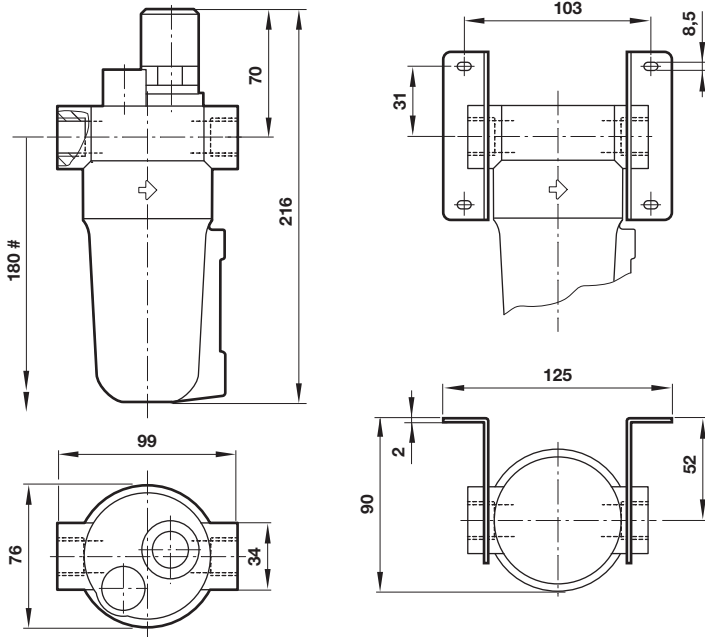
## Dimensions

Dimensions in mm

Projection/First



### Wall mounting bracket



# Minimum clearance required to remove bowl

## Warning

These products are intended for use in industrial compressed air systems only. Do not use these products where pressures and temperatures can exceed those listed under

### »Technical features/data«.

Before using these products with fluids other than those specified, for non-industrial applications, life-support systems or other applications not within published specifications, consult Norgren.

Through misuse, age, or malfunction, components used in fluid power systems can fail in various modes.

The system designer is warned to consider the failure modes of all component parts used in fluid power systems and to provide adequate safeguards to prevent personal injury or damage to equipment in the event of such failure.

System designers must provide a warning to end users in the system instructional manual if protection against a failure mode cannot be adequately provided.

System designers and end users are cautioned to review specific warnings found in instruction sheets packed and shipped with these products.