

- > **Port size: 3/4" ... 1 1/2"**  
(ISO G, PTF)
- > **Direct ported filters with high water removal efficiency**
- > **High flow with minimal pressure drop**



**Technical features**

**Medium:**

Compressed air

**Maximum operating pressure:**

17 bar (246 psi)

**Particle removal:**

40 µm standard; 5 µm optional

**Flow:**

See below

**Port size:**

3/4", 1", 1 1/4" or 1 1/2"

**Drain:**

Automatic or manual

**Automatic drain operating conditions (float operated):**

Bowl pressure required to close drain: > 0,35 bar (5 psi)

Bowl pressure required to open drain: ≤ 0,2 bar (2.9 psi)

Minimum air flow required to close drain: 0,1 dm³/s (0.2 scfm)

Manual operation: depress pin inside drain outlet to drain bowl.

**Fluid/Ambient temperature:**

-20 ... +80°C (0 ... +176°F)

Air supply must be dry enough to avoid ice formation at temperatures below +2°C (+35°F).

**Materials:**

Body and bowl: Aluminum

Bowl sight glass: Pyrex

Filter element: Polypropylene

Elastomers: NBR

**Technical data, standard models**

Symbol	Port size	Filter element (µm)	Flow *1) (dm³/s)	Drain	Weight (kg)	Model
	G3/4	40 µm	183	Manual	1,95	F17-600-M3HG
	G1	40 µm	236	Manual	1,90	F17-800-M3HG
	G1 1/4	40 µm	236	Manual	2,01	F17-A00-M3HG
	Rp1 1/2	40 µm	236	Manual	1,97	F17-B00-M3HC
	G3/4	40 µm	183	Automatic	1,93	F17-600-A3HG
	G1	40 µm	236	Automatic	1,88	F17-800-A3HG
	G1 1/4	40 µm	236	Automatic	1,99	F17-A00-A3HG
	Rp1 1/2	40 µm	236	Automatic	1,95	F17-B00-A3HC

\*1) Typical flow with a 40 µm element at 6,3 bar (90 psi) inlet pressure and 0,5 bar (7 psi) pressure drop.

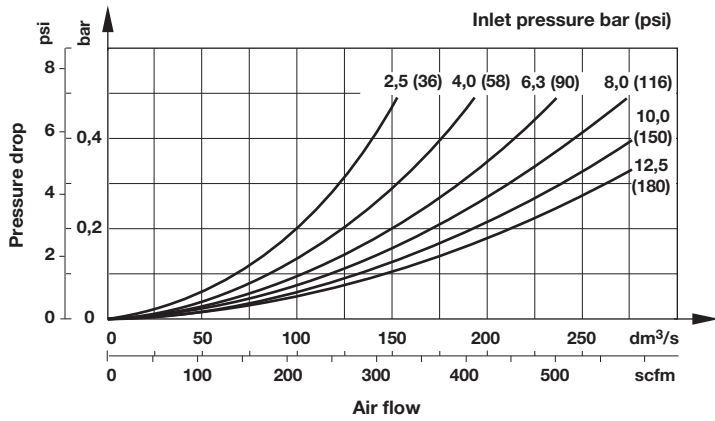
**Options selector**

**F17-★00-★★H★**

Port size	Substitute	Thread	Substitute
3/4"	<b>6</b>	PTF	<b>A</b>
1"	<b>8</b>	ISO Rp (1 1/2" ported units only)	<b>C</b>
1 1/4"	<b>A</b>	ISO G parallel (not available with 1 1/2" ported units)	<b>G</b>
1 1/2"	<b>B</b>		
Drain	Substitute	Bowl	Substitute
Automatic	<b>A</b>	0,5 l with sight glass (standard)	<b>H</b>
Manual	<b>M</b>	Filter element	Substitute
		5 µm	<b>1</b>
		40 µm (standard)	<b>3</b>


**Flow characteristics**

**Port size 1", 40 µm filter element**



**Accessories**


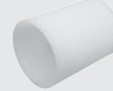
**Wall mounting bracket**



**Port size**

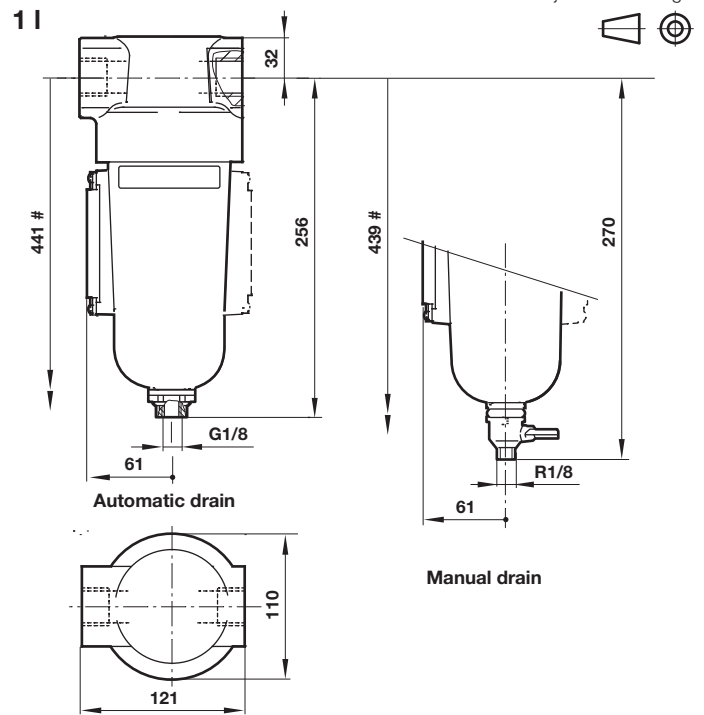
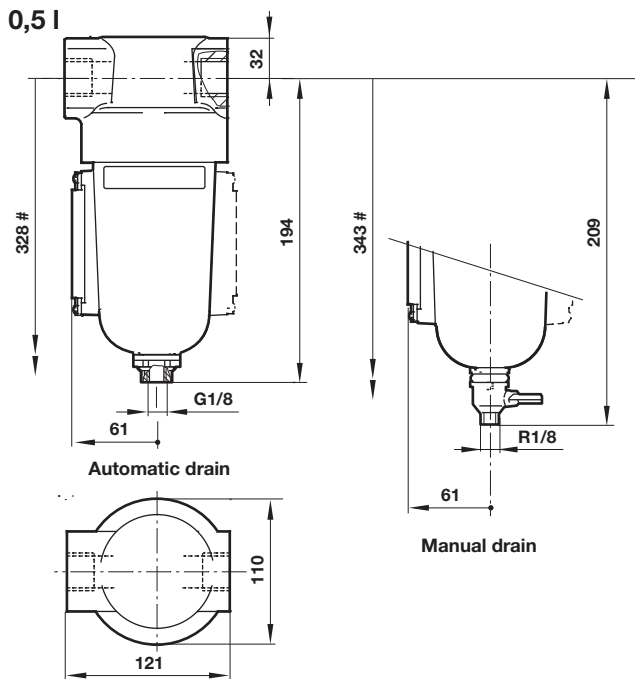
3/4"	6212-50
1"	6212-50
1 1/4"	6212-51
1 1/2"	6212-51

**Service kit**

Service kit 'O'-rings and gaskets	Replacement elements Filter element short (Standard)
	
F17-100A	5 µm: 5576-01
	40 µm: 5576-03

**Dimensions**

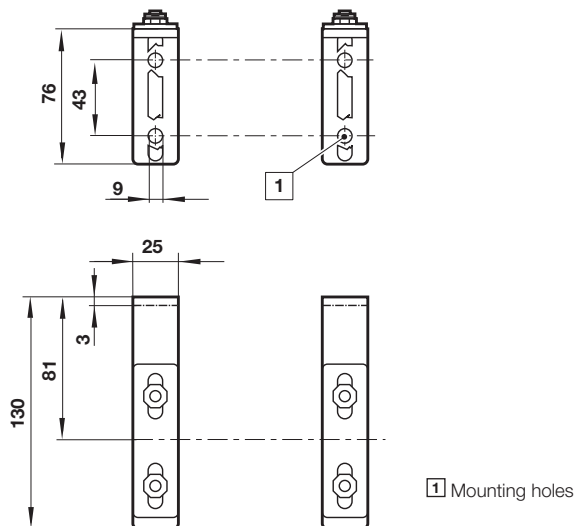
Dimensions in mm  
Projection/First angle



# Min clearance required to remove bowl.

**Wall mounting brackets**

**6212-50, 6212-51**



**Warning**

These products are intended for use in industrial compressed air systems only. Do not use these products where pressures and temperatures can exceed those listed under

»**Technical features/data**«.

Before using these products with fluids other than those specified, for non-industrial applications, life-support systems or other applications not within published specifications, consult IMI Precision Engineering, Norgren GmbH.

Through misuse, age, or malfunction, components used in fluid power systems can fail in various modes.

The system designer is warned to consider the failure modes of all component parts used in fluid power systems and to provide adequate safeguards to prevent personal injury or damage to equipment in the event of such failure.

System designers must provide a warning to end users in the system instructional manual if protection against a failure mode cannot be adequately provided.

System designers and end users are cautioned to review specific warnings found in instruction sheets packed and shipped with these products.