

- > **Port size: 3/4" ... 1 1/2" (ISO G/PTF)**
- > **Easily replaceable cartridge element**
- > **Removal of oil mist from exhaust air provides cleaner work environment**
- > **Snap-on liquid sump with manual drain to collect coalesced oil**
- > **Assists in complying with Noise and COSHH regulations**
- > **Rugged, corrosion resistant construction**



Technical features

Medium:

Compressed air only

Operating pressure:

0 ... 6 bar (0 ... 87 psi)

Residual oil:

< 0,1 mg/m³ (1 bar 20°C)

Noise reduction:

As low as 69 dBa (dependant on application)

Port sizes:

3/4", 1", 1 1/4", 1 1/2"

Ambient temperature:

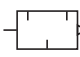
-20° ... +50°C (0° ... 122°F)

Air supply must be dry enough to avoid ice formation at temperatures below +2°C (+35°F).

Materials:

Body, Yoke & Cage: Aluminium
 Element: Composite materials
 Bowl: PE
 Elastomers: NBR

Technical data, standard models

Symbol	Port size	Replacement element	Weight (kg)	Model Single version	Weight (kg)	Model Double version
	G3/4	3237-01	2,34	CS15-600-10DD	4,26	CS15-600-20DD
	G1	3237-01	2,29	CS15-800-10DD	4,21	CS15-800-20DD
	G1 1/4	3237-01	-	-	4,27	CS15-A00-20DD
	G1 1/2	3237-01	-	-	4,28	CS15-B00-20DD

Option selector

Port size	Substitute
3/4	6
1	8
1 1/4	A
1 1/2	B
Yoke	Substitute
Single	1
Double	2

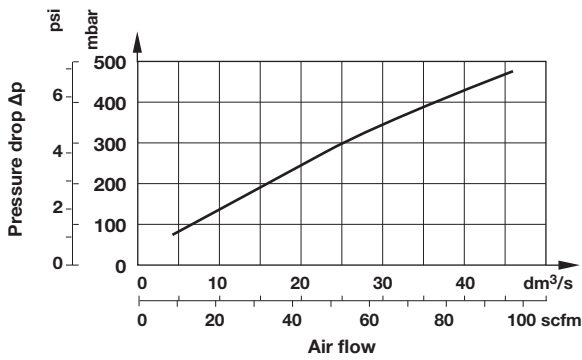
CS15-★00-★0★★

Thread form	Substitute
PTF	AA
ISO G parallel (standard)	DD

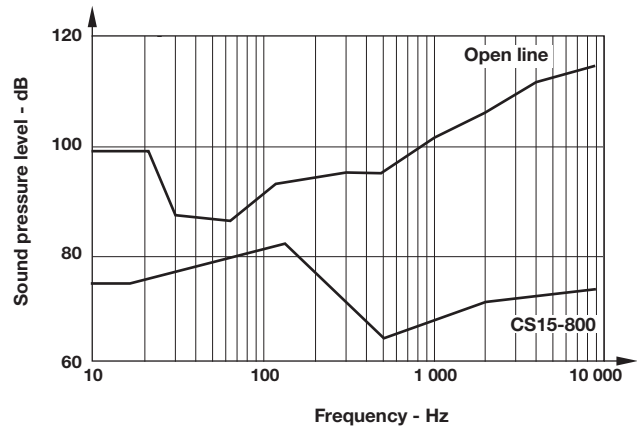
Typical performance characteristics

Flow characteristics

Model: CS15-800



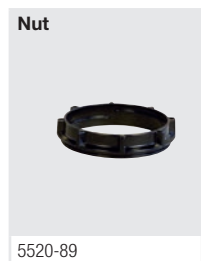
Silencer compared with open line



Accessories

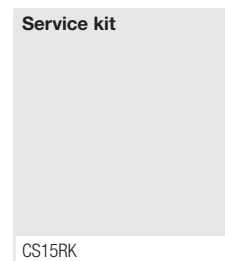
	Single yoke	Double yoke	End connector kit	Single yoke non threads	Bracket mounting
Thread					
G3/4	Y68A-6GN-N1N	Y68A-6GN-N2N	5524-55	74785-99	18-001-979
G1	Y68A-8GN-N1N	Y68A-8GN-N2N	5524-52		18-001-979
G1 1/4	Y68A-AGN-N1N	Y68A-AGN-N2N	5523-52		18-001-978
G1 1/2	Y68A-BGN-N1N	Y68A-BGN-N2N	5523-93		18-001-972

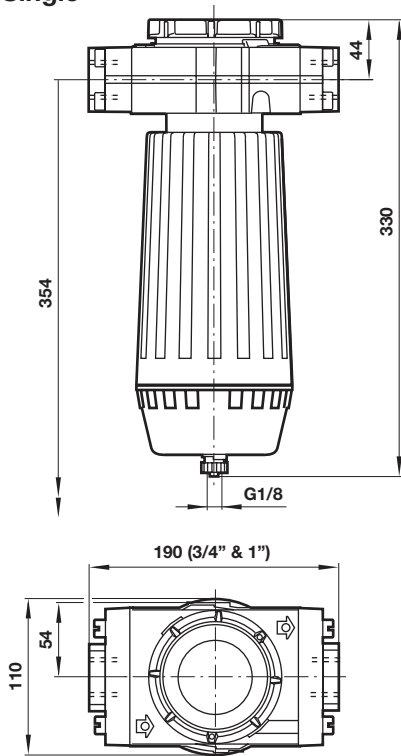
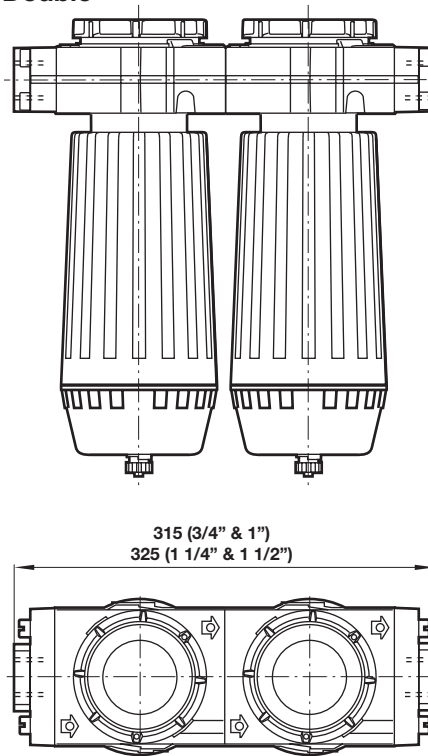
Others

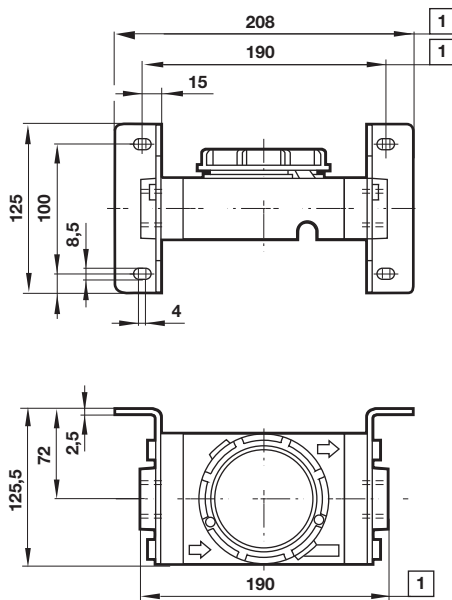
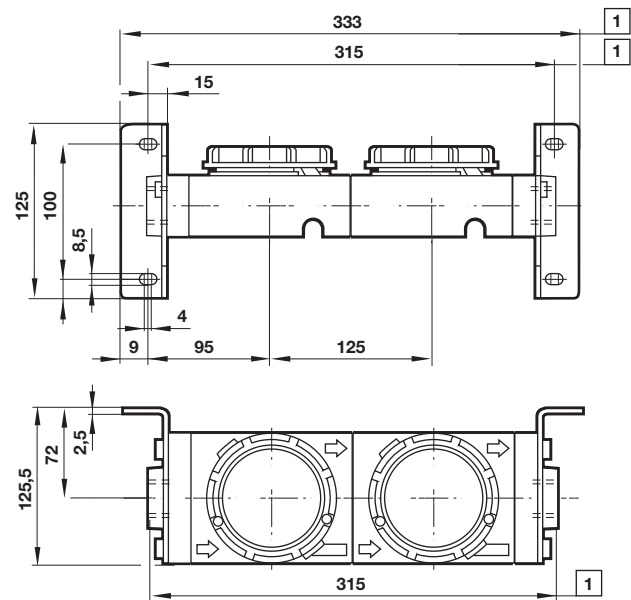


*1)

Service kit



Basic dimensions
Single

Double

 Dimensions in mm
Projection/First angle

Single yoke with bracket

Double yoke with bracket


1 For 1 1/4" and 1 1/2" ported yokes add 10 mm

1 For 1 1/4" and 1 1/2" ported yokes add 10 mm

Warning

These products are intended for use in industrial compressed air systems only. Do not use these products where pressures and temperatures can exceed those listed under

»Technical features/data«

Before using these products with fluids other than those specified, for non-industrial applications, life-support systems or other applications not within published specifications, consult IMI Precision Engineering, IMI International s.r.o. Through misuse, age, or malfunction, components used in fluid power systems can fail in various modes.

The system designer is warned to consider the failure modes of all component parts used in fluid power systems and to provide adequate safeguards to prevent personal injury or damage to equipment in the event of such failure.

System designers must provide a warning to end users in the system instructional manual if protection against a failure mode cannot be adequately provided.

System designers and end users are cautioned to review specific warnings found in instruction sheets packed and shipped with these products.