

P68F - Olympian Plus plug-in system

Soft start/dump valves



- > Port size: 3/4" ... 1 1/2" (ISO G/PTF)
- > Assists machine designers in complying with the European Machineries Directive
- > Can help existing machinery to comply with POWER (Provision and Use of Work Equipment Regulations)
- > Controlled increase of downstream pressure on start up
- > Solenoid, air pilot or manual operator
- > High forward flow capacity
- > High flow dump facility



Technical features

Medium:

Compressed air only

Operating pressure:

3 bar (43 psi) minimum

Solenoid actuated:

10 bar (145 psi) maximum

Pilot actuated:

17 bar (246 psi) maximum

Snap pressure:

Full flow when downstream pressure reaches 50 ... 80% of inlet pressure

Charge time:

For 25 litre (845 fluid oz) downstream volume and 6,3 bar (90 psi) inlet pressure 6,4 sec. minimum 115 sec. maximum

Flow:

147 dm³/s (312 scfm)

(P1 » P2 = Cv 11,2)

(P2 » P3 = Cv >11)

Operating pressure: 6,3 bar (91 psi) Δp: 0,5 bar (7 psi)

Port sizes:

3/4", 1", 1 1/4" or 1 1/2"

Air pilot port:

G1/4 with ISO G main ports

1/4 PTF with PTF main ports

Exhaust port:

G1 with ISO G main ports

1" PTF with PTF main ports

Standard compliance

(only valid for Air pilot/operator version):

 II 2G Ex h IIC T6 Gb

 II 2D Ex h IIIC T85° Db

Ambient/Media temperature:

Solenoid actuated:

-20° ... +50°C (-4 ... +149°F)

Pilot actuated:

-20° ... +80°C (-4 ... +176°F)

Materials:

Body, yoke, top and bottom

plate: Aluminium

Filter discs: Sintered plastic

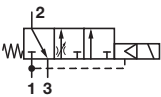
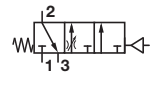
Internal components: Brass/steel

Elastomers: NBR

Electrical details for solenoid operators

Voltage tolerance	± 10%
Rating	100% continuous duty
Inlet orifice	1,0 mm
Electrical connection	Industrial Standard, 22 mm
Solenoid coil mounting	Four positions x 90°
Protection class	IP 65 (with sealed plug)

Technical data - standard models


Symbol	Port size	Size	Actuation/return	Voltage	Pilot port	Weight (kg)	Typ
	G3/4	—	Solenoid/spring	24 V d.c.	—	2,95	P68F-6GC-PFA *1)
	G1	—	Solenoid/spring	24 V d.c.	—	2,93	P68F-8GC-PFA *1)
	G1 1/4	Basic	Solenoid/spring	24 V d.c.	—	2,90	P68F-AGC-PFA *1)
	G1 1/2	—	Solenoid/spring	24 V d.c.	—	2,92	P68F-BGC-PFA *1)
	Without yoke	—	Solenoid/spring	24 V d.c.	—	—	P68F-BGC-PFA *1)
	G3/4	—	Air/spring	—	1/4"	2,77	P68F-6GA-NNN
	G1	—	Air/spring	—	1/4	2,75	P68F-8GA-NNN
	G1 1/4	Basic	Air/spring	—	1/4	2,72	P68F-AGA-NNN
	G1 1/2	—	Air/spring	—	1/4	2,74	P68F-BGA-NNN
	Without yoke	—	Air/spring	—	1/4	—	P68F-NNA-NNN

*1) To select other solenoid type and coil voltage refer to option selector on page 2

Voltage codes and spare coils

22 mm coil for connector interface acc. to industrial standard

Voltage	Power Inrush/Hold	Model	Code
12 V d.c.	2 W	QM/48/12J/21	12J
24 V d.c.	2 W	QM/48/13J/21	13J
110/120 V 50/60 Hz	4/2,5 VA	QM/48/18J/21	18J
220/240 V 50/60 Hz	6/5,0 VA	QM/48/19J/21	19J



Connector plugs

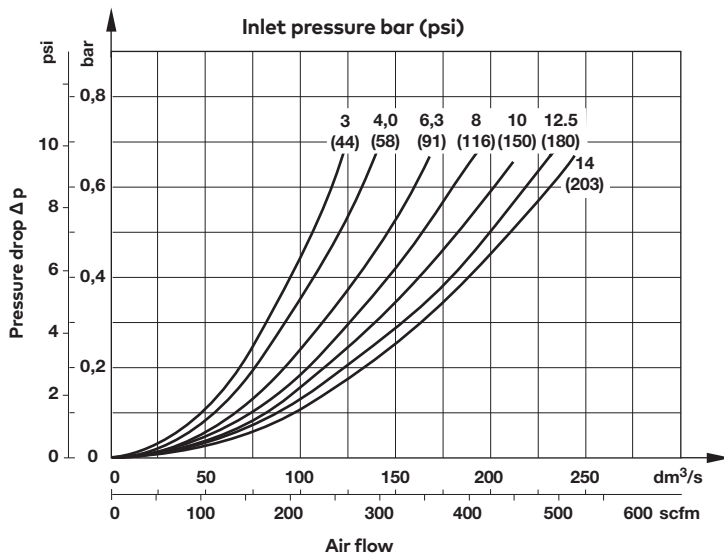


Option selector

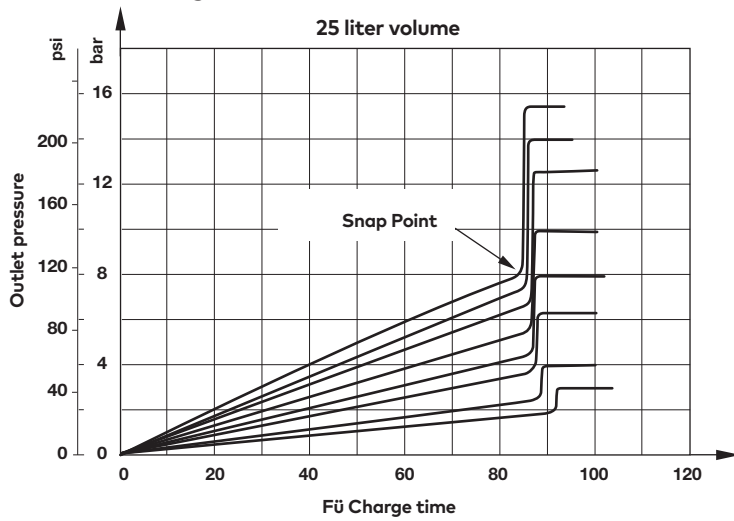
P68F-★ ★ ★ - ★ ★ ★

Port size	Substitute	Connector	Substitute
3/4"	6	3 pin plug with cable gland	A
1"	8	Without	N
1 1/4"	A	Voltage	Watts
1 1/2"	B	24 V d.c.	2 W
Without yoke	N	220/240 V, 50/60 Hz	6/5,0 VA
Threads	Substitute	110/120 V, 50/60 Hz	4/2,5 VA
PTF	A	No coil	-
ISO G parallel (standard)	G	No solenoid	-
No yoke (standard)	N	Manual override	Substitute
Operator	Substitute	Non-locking, shrouded push button	P
Air pilot (standard)	A	None	N
Air pilot with manual lockout	B		
22 mm solenoid (standard)	C		
22 mm solenoid with manual lockout	D		

Flow characteristics



Maximum charge time



Accessories

	Single yoke	Double yoke	End connector kit	Single yoke non threads	3/2 Shut-off valve Threaded inlet only
Thread					
G3/4	Y68A-6GN-N1N	Y68A-6GN-N2N	5524-55	74785-98	T68H-6GB-B2N
G1	Y68A-8GN-N1N	Y68A-8GN-N2N	5524-52		T68H-8GB-B2N
G1 1/4	Y68A-AGN-N1N	Y68A-AGN-N2N	5523-52		T68H-AGB-B2N
G1 1/2	Y68A-BGN-N1N	Y68A-BGN-N2N	5523-93		T68H-BGB-B2N
3/4 PTF	Y68A-6AN-N1N	Y68A-6AN-N2N	5524-53		T68H-6AB-B2N
1 PTF	Y68A-8AN-N1N	Y68A-8AN-N2N	5524-50		T68H-8AB-B2N
1 1/4 PTF	Y68A-AAN-N1N	Y68A-AAN-N2N	5523-50		T68H-AAB-B2N
1 1/2 PTF	Y68A-BAN-N1N	Y68A-BAN-N2N	5523-95		T68H-BAB-B2N

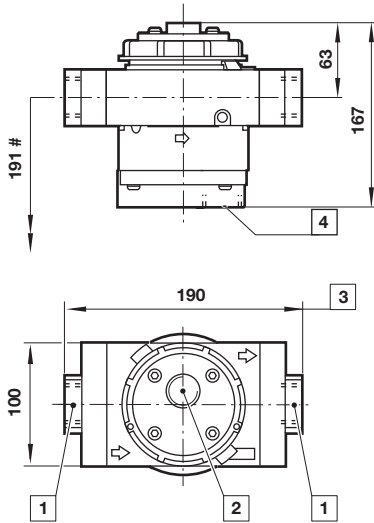
	3/2 Shut-off valve Threaded outlet only	Bracket mounting	Nut	Silencer	Porting block
Thread					
G3/4	T68H-6GC-B2N	18-001-979	5520-89	MB008B (R1)	18-026-986 (G1/4 & G1/2)
G1	T68H-8GC-B2N	18-001-979		MB008A (1 PTF)	18-026-983 (1/4 & 1/2 PTF)
G1 1/4	T68H-AGC-B2N	18-001-978			
G1 1/2	T68H-BGC-B2N	18-001-972			
3/4 PTF	T68H-6AC-B2N	18-001-979			
1 PTF	T68H-8AC-B2N	18-001-979			
1 1/4 PTF	T68H-AAC-B2N	18-001-978			
1 1/2 PTF	T68H-BAC-B2N	18-001-972			

Dimensions

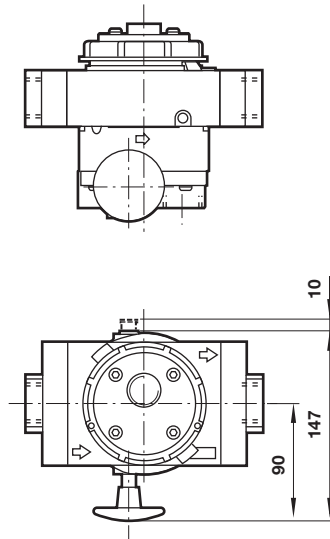
Dimensions in mm
Projection/First angle



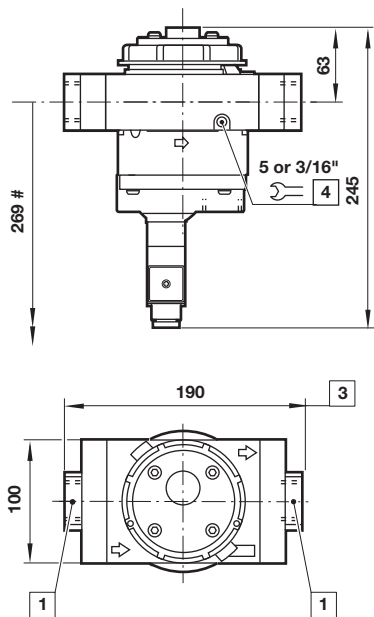
Pilot actuated Standard



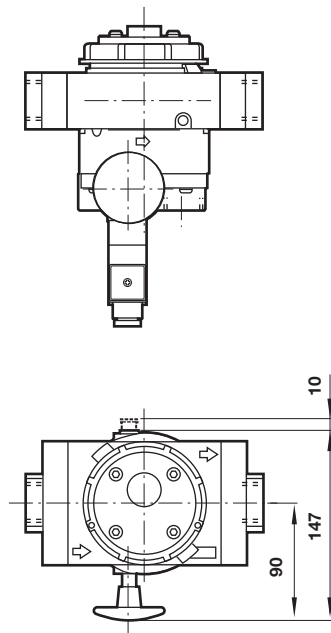
With manual lockout



Solenoid actuated Standard



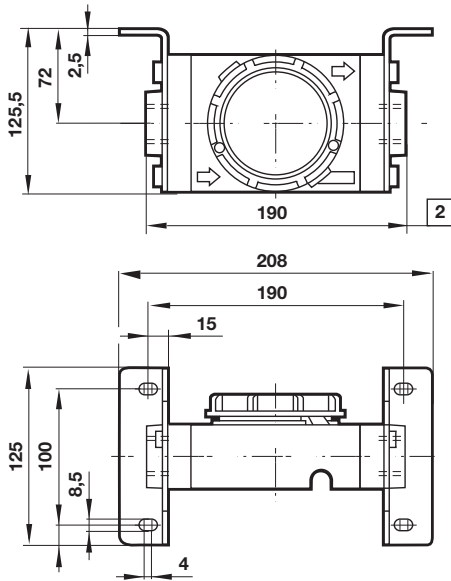
With manual lockout



Minimum clearance required to remove unit from yoke

- 1 Main ports 3/4", 1", 1 1/4" or 1 1/2"
- 2 Pilot port 1/4"
- 3 Plus 10 mm for ports 1 1/4" or 1 1/2"
- 4 Exhaust port 1"

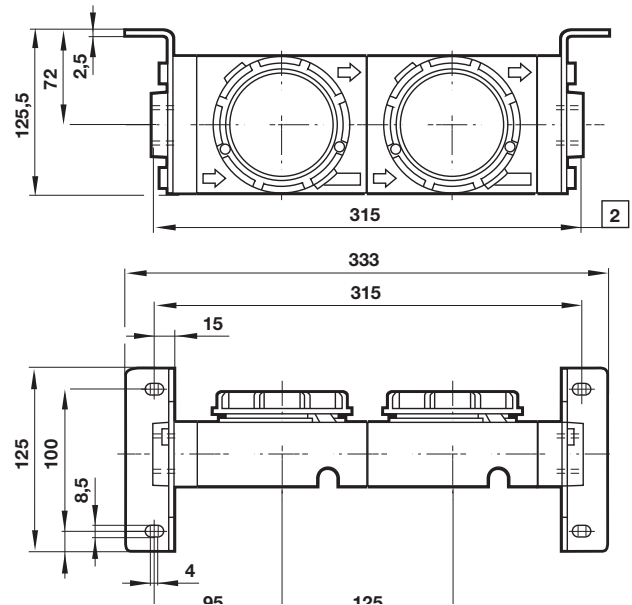
Single yoke with bracket



1 For 1 1/4" and 1 1/2" ported yokes add 10 mm

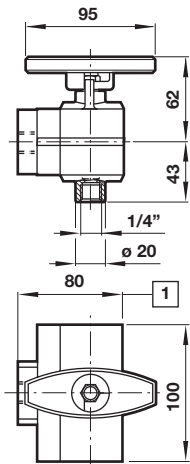
Double yoke with bracket

Dimensions in mm
Projection/First angle



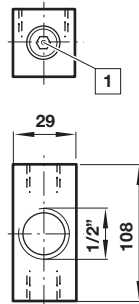
1 For 1 1/4" and 1 1/2" ported yokes add 10 mm

3/2 Shut-off valve



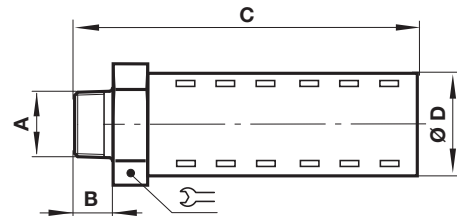
1 For 1 1/2" ported yokes add 5 mm

Porting block



1 Two additional plugged G1/4 ports

Silencer



A	B	C	D		Typ
R1	23	138	51	51	MB008B
1PTF	23	138	51	51	MB008A

Warning

These products are intended for use in industrial compressed air systems only. Do not use these products where pressures and temperatures can exceed those listed under »**Technical features/ data**«.

Before using these products with fluids other than those specified, for non-industrial applications, life-support systems or other applications not within published specifications, consult Norgren.

Through misuse, age, or malfunction, components used in fluid power systems can fail in various modes.

The system designer is warned to consider the failure modes of all component parts used in fluid power systems and to provide adequate safeguards to prevent personal injury or damage to equipment in the event of such failure.

System designers must provide a warning to end users in the system instructional manual if protection against a failure mode cannot be adequately provided.

System designers and end users are cautioned to review specific warnings found in instruction sheets packed and shipped with these products.