

# F64C, F64H - Olympian Plus Plug-In System

## Puraire high efficiency coalescing filter



- > Port size: 1/4" ... 3/4" (ISO G/PTF)
- > High efficiency coalescing filters
- > Coalescing element removes sub-micron particles and converts oil and water mist to liquid form to drain away
- > Service indicator standard
- > Quick release bayonet bowl

### Technical features

#### Medium:

Compressed air only

#### Maximum operating pressure:

17 bar (246 psi)

#### Flow:

See diagrams on page 2

#### Remaining oil content:

0,01 mg/m<sup>3</sup> max at +21°C (+70°F)

#### Particle removal:

To 0,01 µm

#### Port sizes:

1/4", 3/8", 1/2" or 3/4"

#### Drain:

Manual or automatic

#### Automatic drain conditions:

Pressure to close drain:

> 0,3 bar (4.3 psi)

Pressure to open drain:

< 0,2 bar (2.9 psi)

Minimum air flow to close drain:

0,6 dm<sup>3</sup>/s (1.3 scfm)

#### Service life indicator:

Mechanical standard

#### Bowl size:

0,2 litre (7 fluid oz)

#### Standard compliances:

II 2G Ex h IIC T6 Gb

II 2D Ex h IIIC T85° Db

#### Ambient/Media temperature:

-20° ... +65°C (-4° ... +149°F)

Air supply must be dry enough to avoid ice formation at temperatures below +2°C (+35°F).

Note: Install an F64G filter with a 5 µm filter element upstream of the F64C/H filter for maximum service life.

#### Materials:

Body and yoke: Zinc alloy

Connection piece: Aluminium

Metal bowl: Aluminium

Element: Composite

Prismatic liquid level indicator: Grilamid

Elastomers: NBR

### Technical data, standard models

Symbol	Port size	Size	Filter element (µm)	Flow* (dm <sup>3</sup> /s)	Bowl	Drain	Weight (kg)	Model
	G1/4	—	0,01	16	Metal	Manual	1,48	F64C-2GD-MDO
	G3/8	—	0,01	28	Metal	Manual	1,70	F64H-3GD-MDO
	G1/2	Basic	0,01	28	Metal	Manual	1,67	F64H-4GD-MDO
	G3/4	—	0,01	28	Metal	Manual	2,01	F64H-6GD-MDO
	Without yoke	—	0,01	—	Metal	Manual	1,24	F64C-NND-MDO
	Without yoke	—	0,01	—	Metal	Manual	1,24	F64H-NND-MDO
	G1/4	—	0,01	16	Metal	Automatic	1,48	F64C-2GD-ADO
	G3/8	—	0,01	28	Metal	Automatic	1,70	F64H-3GD-ADO
	G1/2	Basic	0,01	28	Metal	Automatic	1,67	F64H-4GD-ADO
	G3/4	—	0,01	28	Metal	Automatic	2,01	F64H-6GD-ADO
	Without yoke	—	0,01	—	Metal	Automatic	1,24	F64C-NND-ADO
	Without yoke	—	0,01	—	Metal	Automatic	1,24	F64H-NND-ADO

\* Maximum flow at 6,3 bar (91 psi) - guaranty optimum oil removal performance.

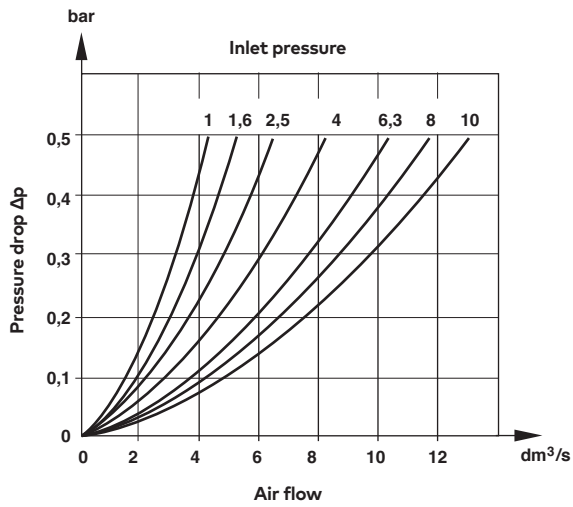
### Option selector

F64★-★-★-★-★DO

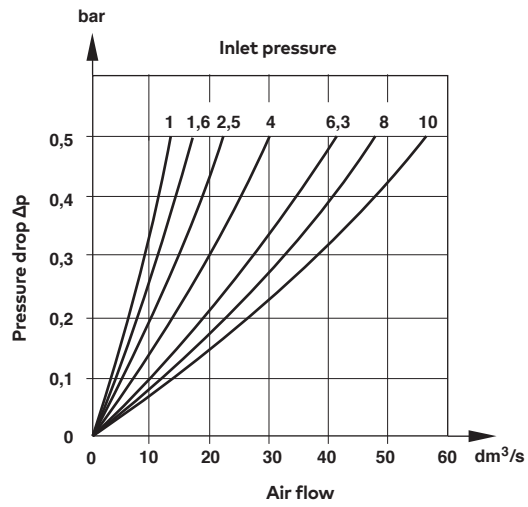
Bowl/Element	Substitute	Drain	Substitute
Standard flow	C	Automatic	A
High flow	H	Manual	M
Port size	Substitute	Service life indicator	Substitute
1/4"	2	Mechanical (standard)	D
3/8"	3	Without	N
1/2"	4		
3/4"	6		
Without yoke	N		
Threads form	Substitute		
PTF	A		
ISO G (standard)	G		
Without yoke (standard)	N		

### Flow characteristics

#### F64C Port size: 1/4"



#### F64H Port size: 1/2"



### Typical performance characteristics


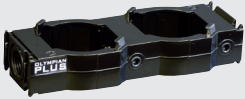




Inlet pressure (bar)	Maximum flow ( $\text{dm}^3/\text{s}$ )*	
	F64C	F64H
1	6,4	11,2
3	11,0	19,3
5	14,3	24,9
6,3	16,0	28,0
7	16,9	29,5
9	19,1	33,5

\* Maximum flow to maintain stated oil removal performance.

## Accessories and service kit





### Accessories

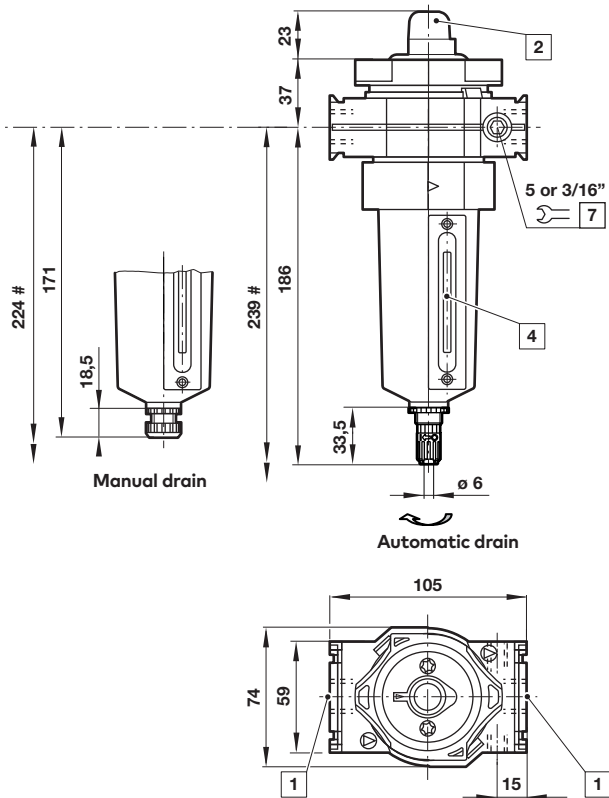
	Models with G-thread Single yoke	Double yoke	3/2 Shut-off valve Threaded inlet only	Threaded outlet only	End connector kit	Rear entry bracket kit
						
<b>Thread</b>	<b>5</b>				<b>2</b>	<b>8</b>
G1/4	Y64A-2GA-N1N	Y64A-2GA-N2N	T64T-2GB-P1N	T64T-2GC-P1N	—	—
G3/8	Y64A-3GA-N1N	Y64A-3GA-N2N	T64T-3GB-P1N	T64T-3GC-P1N	—	—
G1/2	Y64A-4GA-N1N	Y64A-4GA-N2N	T64T-4GB-P1N	T64T-4GC-P1N	74505-50	—
G3/4	Y64A-6GA-N1N*	Y64A-6GA-N2N*	T64T-6GB-P1N	T64T-6GC-P1N	74505-53	18-026-981
1/4 PTF	Y64A-2AA-N1N	Y64A-2AA-N2N	T64T-2AB-P1N	T64T-2AC-P1N	—	—
3/8 PTF	Y64A-3AA-N1N	Y64A-3AA-N2N	T64T-3AB-P1N	T64T-3AC-P1N	—	—
1/2 PTF	Y64A-4AA-N1N	Y64A-4AA-N2N	T64T-4AB-P1N	T64T-4AC-P1N	74505-52	—
3/4 PTF	Y64A-6AA-N1N*	Y64A-6AA-N2N*	T64T-6AB-P1N	T64T-6AC-P1N	74505-55	—

\*These yokes are supplied with two end connector kits as standard.

Bracket mounting	Nut	Yoke connector kit	Porting block	Padlock with two keys
				
<b>1</b>	<b>4</b>	<b>9</b>		
74504-50	74502-89	74503-51	74507-50	0613633 (brass)

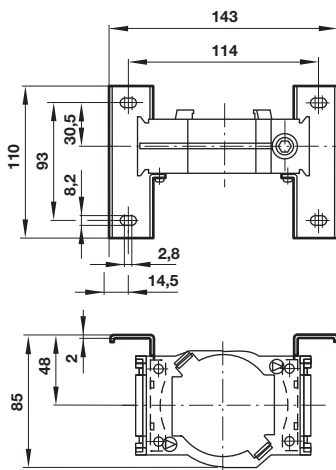
### Service kit

Service kit F64C	Service kit F64H
	
F64C-KITA0C	F64H-KITA0C

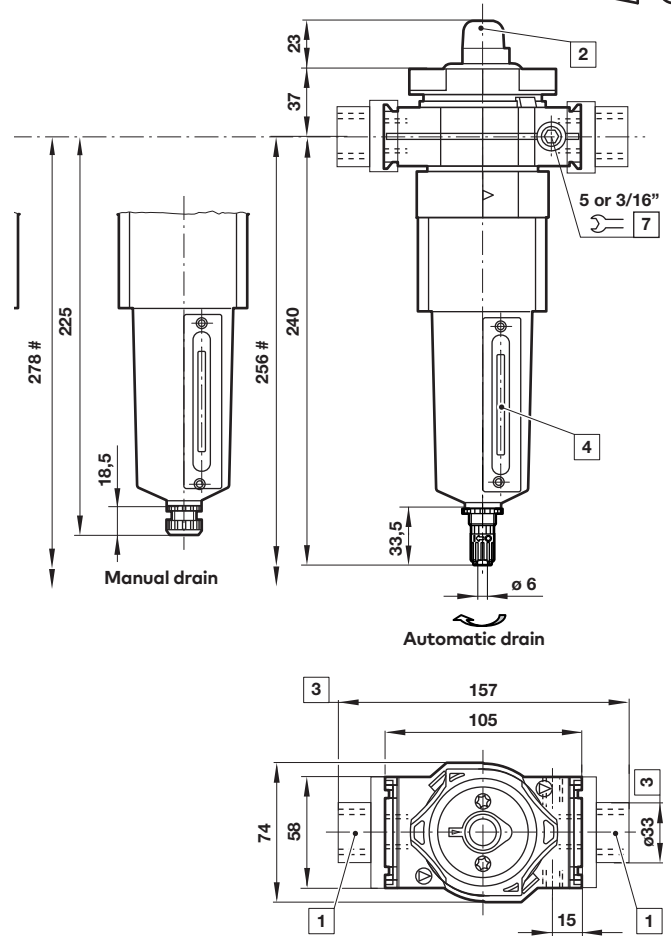
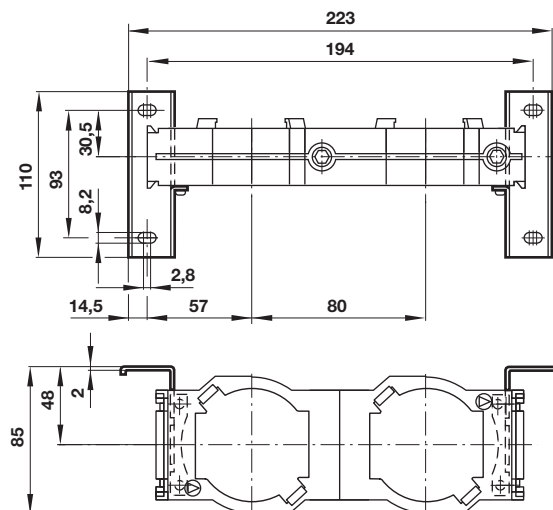
**Basic dimensions**
**F64C**


# Minimum clearance required to remove bowl

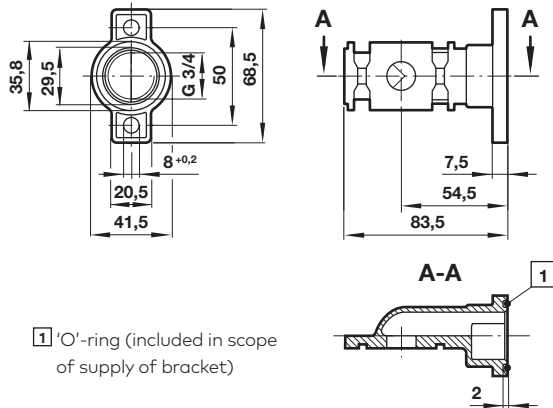
- 1 Main ports 1/4", 3/8", 1/2" or 3/4"
- 3 For main ports 3/4" only
- 4 Sight glass
- 7 Gauge port 1/8"

**Single yoke with bracket mounting**

**F64H**

Dimensions in mm  
Projection/First angle


**Double yoke with bracket mounting**


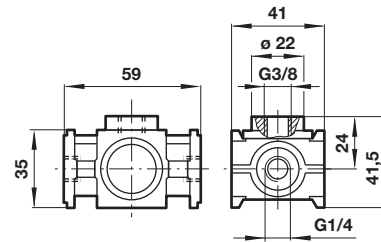
### Rear entry bracket 18-026-981



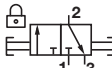
1 O-ring (included in scope of supply of bracket)

### Porting block 74507-50

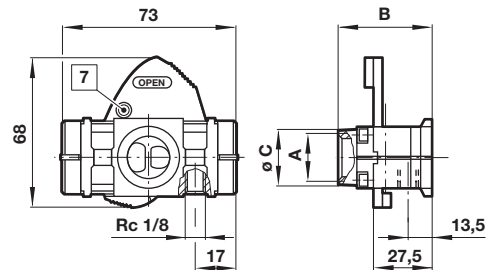
Dimensions in mm  
Projection/First angle



### 3/2 Shut-off valve

Symbol	A	B	ø C	Model
	G1/4	48	27	T64T-2G*-P1N
	G3/8	48	27	T64T-3G*-P1N
	G1/2	48	27	T64T-4G*-P1N
	G3/4	51	33	T64T-6G*-P1N

\* B = Threaded inlet only, C = Threaded outlet only



7 Padlock hole ø7,5 mm

### Warning

These products are intended for use in industrial compressed air systems only. Do not use these products where pressures and temperatures can exceed those listed under »**Technical features/ data**«.

Before using these products with fluids other than those specified, for non-industrial applications, life-support systems or other applications not within published specifications, consult IMI Precision Engineering.

Through misuse, age, or malfunction, components used in fluid power systems can fail in various modes.

The system designer is warned to consider the failure modes of all component parts used in fluid power systems and to provide adequate safeguards to prevent personal injury or damage to equipment in the event of such failure. System designers must provide a warning to end users in the system instructional manual if protection against a failure mode cannot be adequately provided. System designers and end users are cautioned to review specific warnings found in instruction sheets packed and shipped with these products.