

# 26230, 80107 NAMUR 3/2 & 5/2 Indirect solenoid actuated spool valves



- > Port size: G1/4 and NAMUR interface
- > For single and double operated actuators
- > Standard manual override with detent
- > Simple design of soft spool seal system
- > Compact design, high flow rate
- > Easily interchangeable solenoid system
- > Maintenance-free
- > Valves and solenoids are ATEX approved (see table)



## Technical features

### Medium:

Compressed air, filtered, lubricated or non-lubricated

### Operation:

Solenoid, indirectly controlled

### Operating pressure:

2 ... 8 bar (29 ... 116 psi)

### Orifize:

6 mm

### Port size:

G 1/4  
NAMUR Interface with integrated exhaust air

### Mounting position:

Optional, preferably with solenoid on top

### Flow direction:

Fixed

### Electrical connection:

See solenoid table

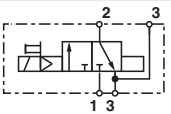
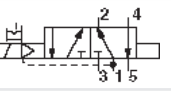
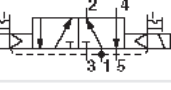
### Ambient/Media temperature:

-10° ... +50°C (+14° ... +122°F)  
Solenoid: see solenoid table  
Air supply must be dry enough to avoid ice formation at temperatures below 2°C (+35°F).

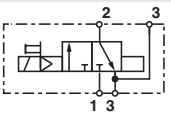
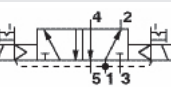
### Materials:

Housing: Aluminium  
Pilot flange: Plastic  
Seat seal: NBR

## Technical data

Symbol	Ports *2 1, 3 (5)	2 (4)	Actuation	Nominal size	Operating pressure (bar)	kv-value (Cv (US) = kv x 1,2)	Weight (kg)	Dimension No.	Model *1)
	G 1/4	Flange	Solenoid indirectly controlled	6	2 ... 8	1,2	0,4	1	8010777
	G 1/4	Flange	Solenoid indirectly controlled	6	2 ... 8	1,2	0,55	2	2623077
	G 1/4	Flange	Solenoid indirectly controlled	6	2 ... 8	1,2	0,9	3	2623177





## 3/2 or 5/2 way function (conversion instruction see page 6)

Symbol	Ports *2 1, 3 (5)	2 (4)	Actuation	Nominal size	Operating pressure (bar)	kv-value (Cv (US) = kv x 1,2)	Weight (kg)	Dimension No.	Model *1)
	G 1/4	Flange	Solenoid indirectly controlled	6	2 ... 8	1,2	0,4	4	2623079
	G 1/4	Flange	Solenoid indirectly controlled	6	2 ... 8	1,2	0,9	5	2623179

\*1) When ordering please indicate solenoid, voltage and current type (frequency).

\*2) Port 5 is not throttleable

## Solenoid actuators

	Power consumption		Rated current		Protection class IP/NEMA	Ex-Protection (ATEX-Category)	Temperature Ambient/ Media (°C)	Electrical connection	Weight  (kg)	Drawing  No.	Circuit diagram  No.	Model
	24 V d.c. (W)	230 V a.c. (VA)	24 V d.c. (m A)	230 V a.c. (m A)								
	1,8	—	70	—	IP65 (with connector)	—	-15 ... +50	Connector DIN EN 175301-803, form B *1)	0,1	11	1	3050
	1,6	—	30	—	IP65 (with connector)	—	-15 ... +50	Connector DIN EN 175301-803, form A *1)	0,1	12	1	3036
	2,7	—	115	—	IP65 (with connector)	II 2 G Ex mb IIC T5 Gb II 2 D Ex mb tb T95°C Db	-20 ... +50 *2)	Cable length 3 m	0,3	13	14	3062
	—	2,1	—	9	IP65 (with connector)	II 2 G Ex mb IIC T5 Gb II 2 D Ex mb tb T95°C Db	-20 ... +50 *2)	Cable length 3 m	0,3	13	15	3063
	2,7	—	115	—	IP66 (with connector)	—	-10 ... +50	Connector *1) M12x1, DIN IEC 61076-2-101 Solenoid with yellow LED	0,1	14	17	3071





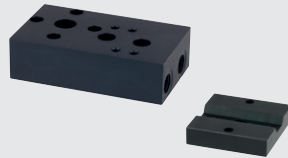

Standard voltages (±10%) 24 V d.c., 230 V a.c., other voltages on request.

\*1) Connector is not scope of delivery, see table »Accessories«

## Approvals

Model	Approvals ATEX	IECEX		FM	Datasheet
		—	—		
306x	PTB 03 ATEX 2015	—	—	—	N/en 71.560
307x	EC-Declaration of Conformity	—	—	—	N/en 71.565

## Accessories

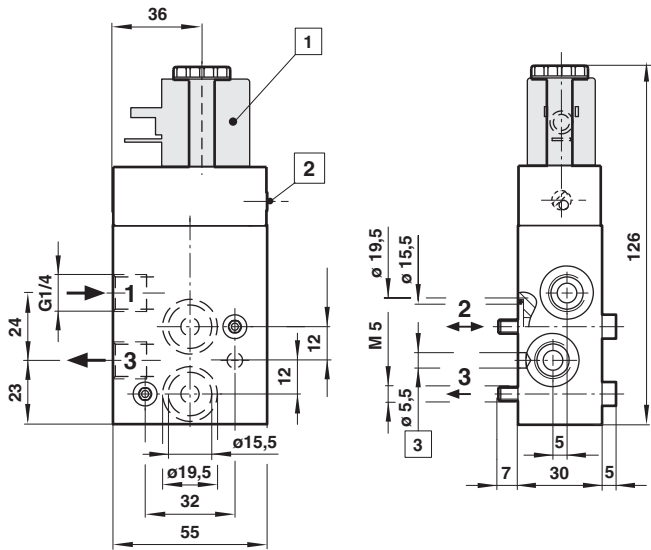
Connector Form A	M12 x 1		Silencer	Flange plate		Yoke
						
0570275 (form A)	0523055 (without cable)	0523056 (90°, without cable)	Page 7 M/S2 G1/4	Page 7 0612790 (NAMUR single connection plate)		Page 7 0540593
0680003 (form B)	0523057 (2 m cable)	0523058 (90°, 2 m cable length)		0612791 (NAMUR-rip use in combination with 0612790, Alu)		
	0523052 (5 m cable)	0523053 (90°, 5 m cable length)				

**Dimensions  
Valves**

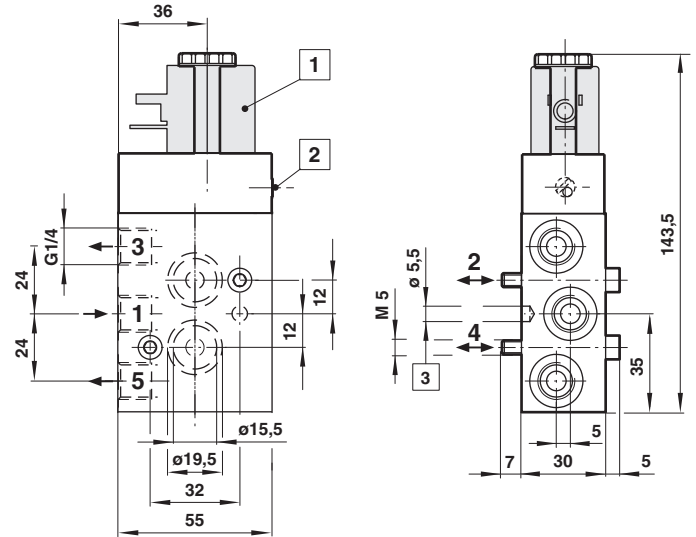
Dimensions in mm  
Projection/First angle



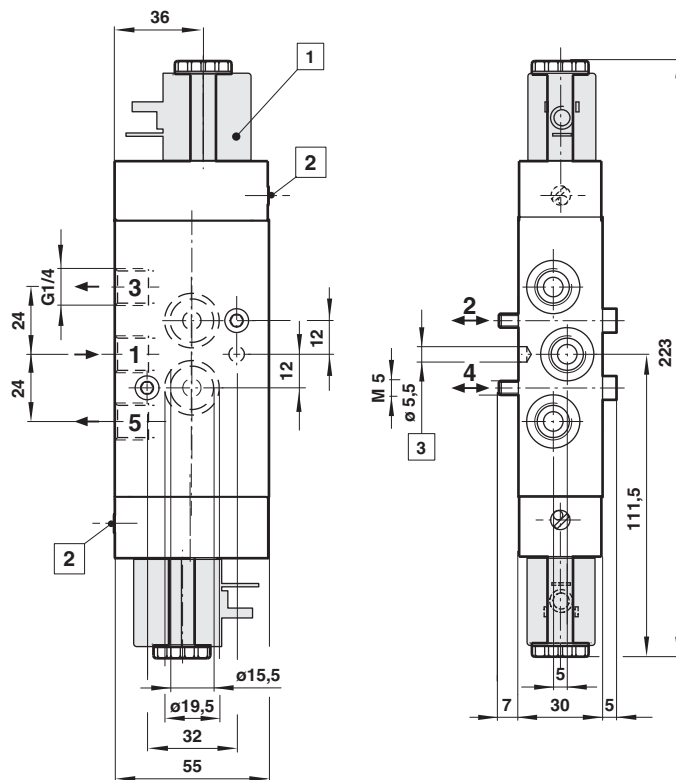
1



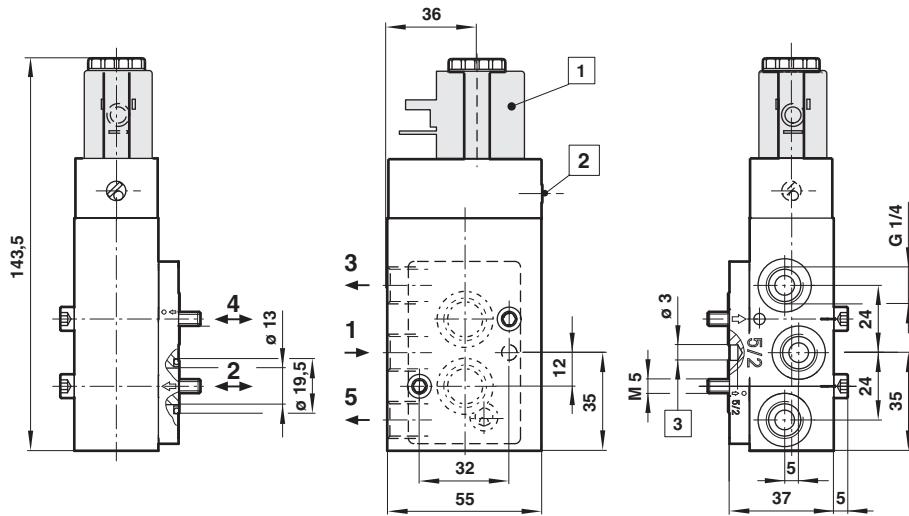
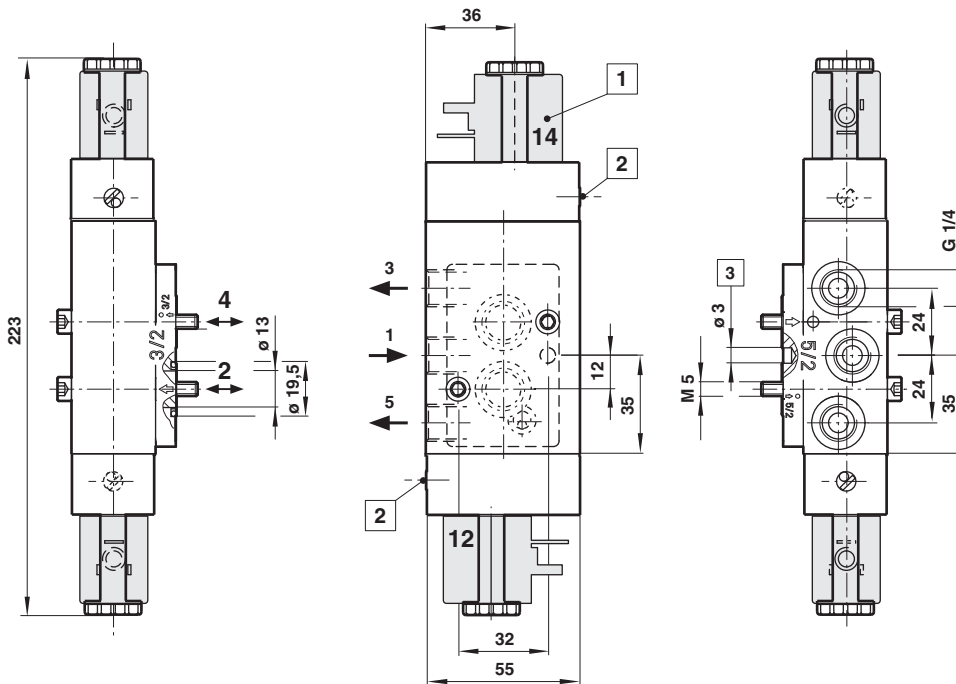
2



3



- 1 Solenoid 90° turnable
- 2 Manual override with detent
- 3 NAMUR centering hole


**4**

**5**


- 1 Solenoid 90° turnable
- 2 Manual override with detent
- 3 NAMUR centering hole

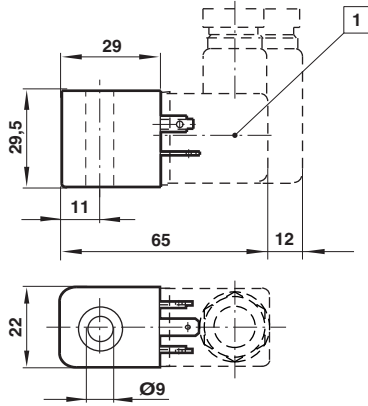
## Dimensions

### Solenoid operators

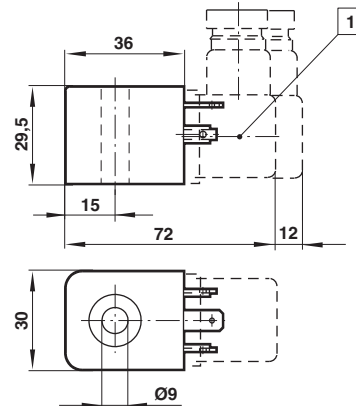
Dimensions in mm  
Projection/First angle



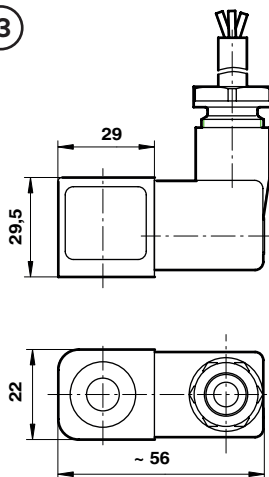
11



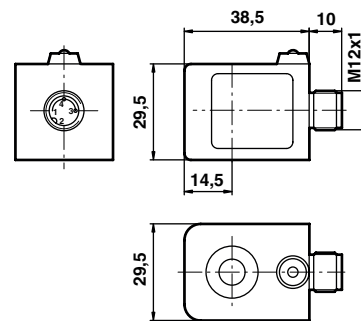
12



13



14



1 Connector 4 x 90° turnable

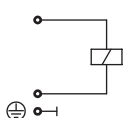
### Electrical connection M 12 x 1



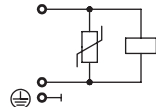
Pin	Signal	Cable
1	+ UB	brown
2	Out 2 (PNP) / analogue 4 to 20 mA	white
3	0 Volt	blue
4	Out 1 (PNP)	black

### Circuit diagrams

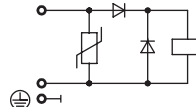
1



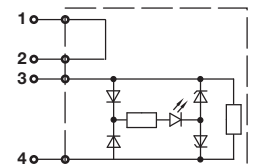
14



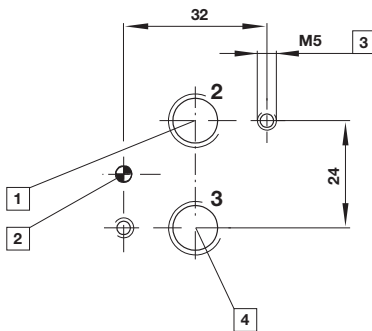
15



17



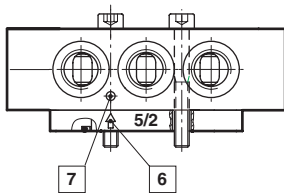
**NAMUR hole pattern (actuator side)**

 Dimensions in mm  
 Projection/First angle


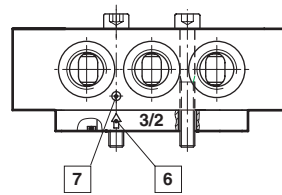
- 1 Coding stud threaded
- 2 10 mm deep

NAMUR quick exhaust module for a better kv-value by exhaust see data sheet 5.4.820

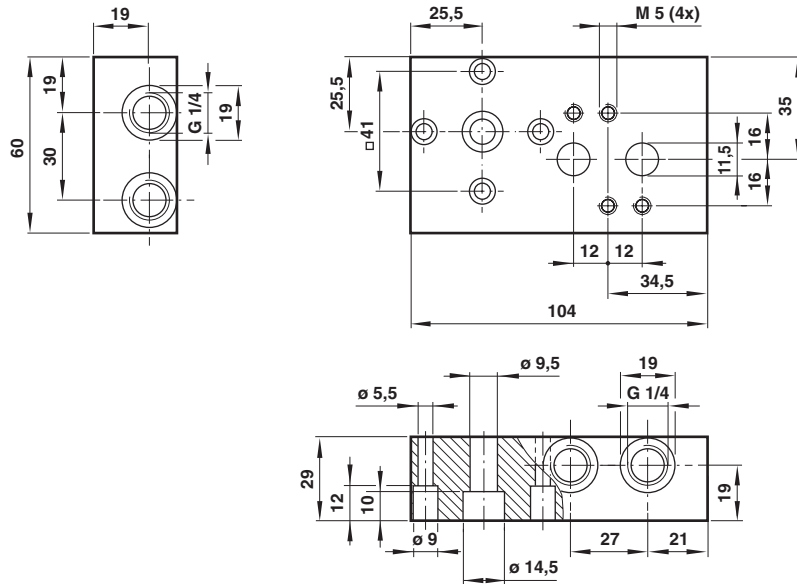
NAMUR interlinking plates in redundancy design for »safety exhausting« and »safety ventilating« see data sheet 5.4.830

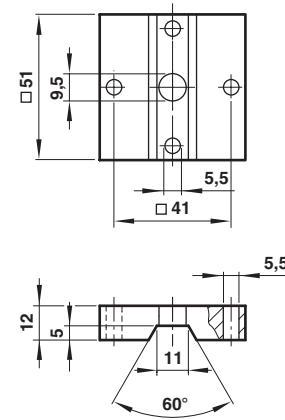
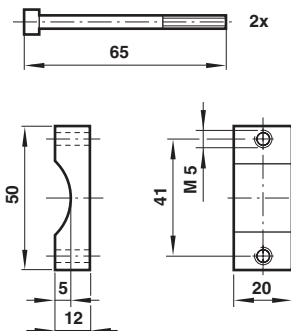
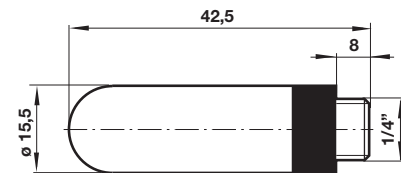
**Conversion instructions of 5/2 into 3/2 way function**
**5/2 way function (original mode of supply)**


3/2 resp. 5/2 way function can be achieved just by swapping enclosed adaptor plates. Make sure Marker and Arrow do match as shown on above drawing. Original mode of supply: 5/2 function.

**3/2 way function**


- 6 Arrow
- 7 Marker

**Single connection plate**  
**Model: 0612790**

**NAMUR slot**  
**Model: 0612791**

 Dimensions in mm  
 Projection/First angle

**Yoke**  
**Model: 0540593**

**Silencer**  
**Model: M/S2**

**Warning**

These products are intended for use in industrial compressed air systems only. Do not use these products where pressures and temperatures can exceed those listed under »**Technical features/data**«.

Before using these products with fluids other than those specified, for non-industrial applications, life-support systems or other applications not within published specifications, consult Norgren Ltd.

Through misuse, age, or malfunction, components used in fluid power systems can fail in various modes.

The system designer is warned to consider the failure modes of all component parts used in fluid power systems and to provide adequate safeguards to prevent personal injury or damage to equipment in the event of such failure.

System designers must provide a warning to end users in the system instructional manual if protection against a failure mode cannot be adequately provided.

System designers and end users are cautioned to review specific warnings found in instruction sheets packed and shipped with these products.

**Please be aware that this document is a translation of the original document which was written in English, and is provided for your convenience/for informational purposes only. In the event of any discrepancy, ambiguity, or conflict between the original English language version and this translation, the English language version of the document shall prevail.**