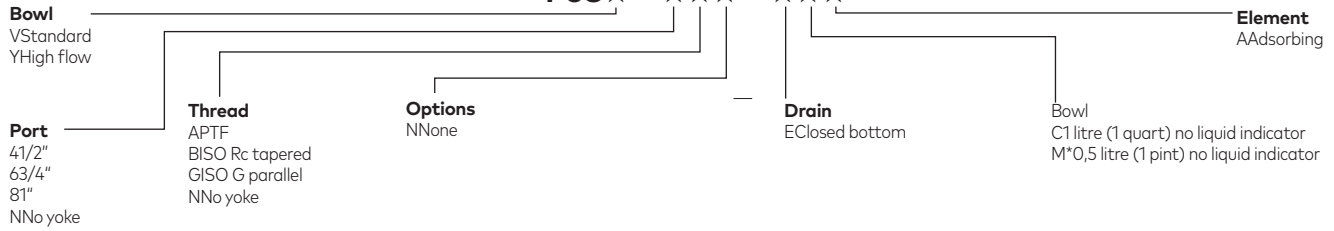


### Option selector



\* Only available with the F68V standard filter.

### TECHNICAL FEATURES

Fluid: Compressed air  
 Maximum pressure: 17 bar (250 psig)  
 Operating temperature\*:  
 -20° ... +65°C (0° ... +150°F)  
 \* Air supply must be dry enough to avoid ice formation at temperatures below +2°C (+35°F).  
 \* Air quality: Within ISO 8573-1, Class 1 (oil content) when installed downstream of an oil removal filter  
 Maximum remaining oil content in outlet air:  
 0,003 mg/m<sup>3</sup> at 20°C (70°F)  
 Maximum flow at 6,3 bar (90 psig) inlet pressure to maintain stated oil removal performance:  
 1/2" ports: 25 dm<sup>3</sup>/s (53 scfm)  
 3/4" ports: 35 dm<sup>3</sup>/s (74 scfm)  
 1" ports: 60 dm<sup>3</sup>/s (127 scfm)

Nominal bowl sizes:

- 1 litre (1 quart US)
- 0,5 litre (1 pint US)

Required pre-filter: Oil removal filter with equivalent pipe size and flow capacity equal to or greater than the vapour removal filter. It is recommended that a general purpose filter with a 5µm element be installed upstream of the oil removal filter.

Materials:

- Body: Aluminium
- Yoke: Aluminium
- Bowl: Aluminium
- Element: Activated carbon and aluminum
- Elastomers: Synthetic rubber
- Replacement Items

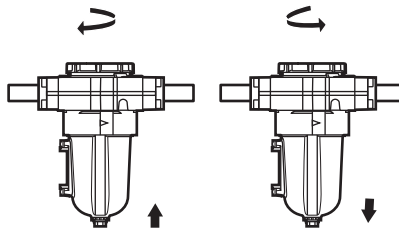
### SERVICE KIT

- |                                      |          |
|--------------------------------------|----------|
| (items circled on exploded view)     | 4380-302 |
| Filter element, standard, short (13) | 665-72   |
| Filter element, high flow, long (13) | 665-70   |

### INSTALLATION

1. Install yoke in air line -
  - with air flow in direction of arrow on top of yoke,
  - upstream of regulators, lubricators, and cycling valves,
  - as close as possible to the air supply when filter is used as a main line filter,
  - as close as possible to the device being serviced when filter is used as a final filter.
  - away from any heat source. Filtration temperature should be in the region of 21°C ... 26°C (70° ... 80°F). Above this temperature range, oil vapor content of compressed air increases substantially and element service life is reduced.
2. Connect piping to yoke ports using pipe thread sealant on male threads only.
3. Lubricate o-rings (2) with a light coat of o-ring grease, then place o-rings in grooves in body (1).
4. Place clamp ring under lugs on top of yoke.
5. Make sure arrows on yoke and filter point in same direction, then plug filter into yoke and tighten clamp ring hand tight.

6. Turn bowl into body until arrowhead on bowl is aligned with or to the right of the arrowhead on the body.
7. Install a Norgren general purpose filter and oil removal filter upstream of the oil vapour removal filter.



### SERVICING

1. Periodically remove bowl and check for condensation. Dry bowl if condensation is present.
2. Life of the filter element is dependent on the amount of contamination adsorbed. A minimum service life of 400 hours should be expected when an oil removal filter is installed upstream of the vapor removal filter. Install a sampling point downstream of the vapor removal filter and perform periodic odor checks. Oil vapor has a very distinctive smell. Replace element when oil vapor odor is detected at the sampling point.

### DIASSEMBLY

1. Shut off inlet pressure. Reduce pressure in inlet and outlet lines to zero.
2. Unscrew the clamp ring and remove filter from yoke.
3. Disassemble in general accordance with the item numbers on exploded view. Do not remove the bottom plug (5, 10) unless replacement is necessary. Remove and replace only if they malfunction. Do not attempt to remove rod (14), as it is cemented to body.

### CLEANING

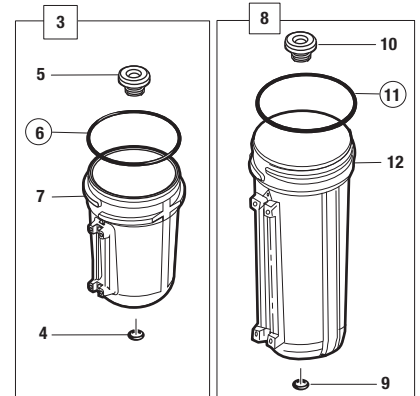
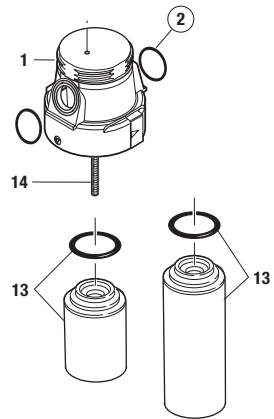
1. Element (13) cannot be cleaned. Clean other parts with warm water and soap.
2. Rinse and dry parts. Blow out internal passages in body (1) with clean, dry compressed air.
3. Inspect parts. Replace those found to be damaged.

### ASSEMBLY

1. Lubricate o-rings and the portion of the bottom plug (5, 10) that contacts the bowl with o-ring grease.
2. Assemble the unit as shown on the exploded view.

### 3.Torque Table

- Item Torque in N-m (Inch-Pounds)  
 13 (Element) 5 to 6,2 (44 to 55)  
 5. Turn bowl into body until arrowhead on bowl is aligned with or to the right of the arrowhead on the body.



### CAUTION

Water vapor will pass through these units and could condense into liquid form downstream as air temperature drops. Install an air dryer if water condensation could have a detrimental effect on the application.

## F68V, F68Y Oil vapour removal filter Installation & Maintenance Instructions



### WARNING

These products are intended for use in industrial compressed air systems only. Do not use these products where pressures and temperatures can exceed those listed under Technical Data. Before using these products with fluids other than air, for non industrial applications, or for life-support systems consult Norgren.